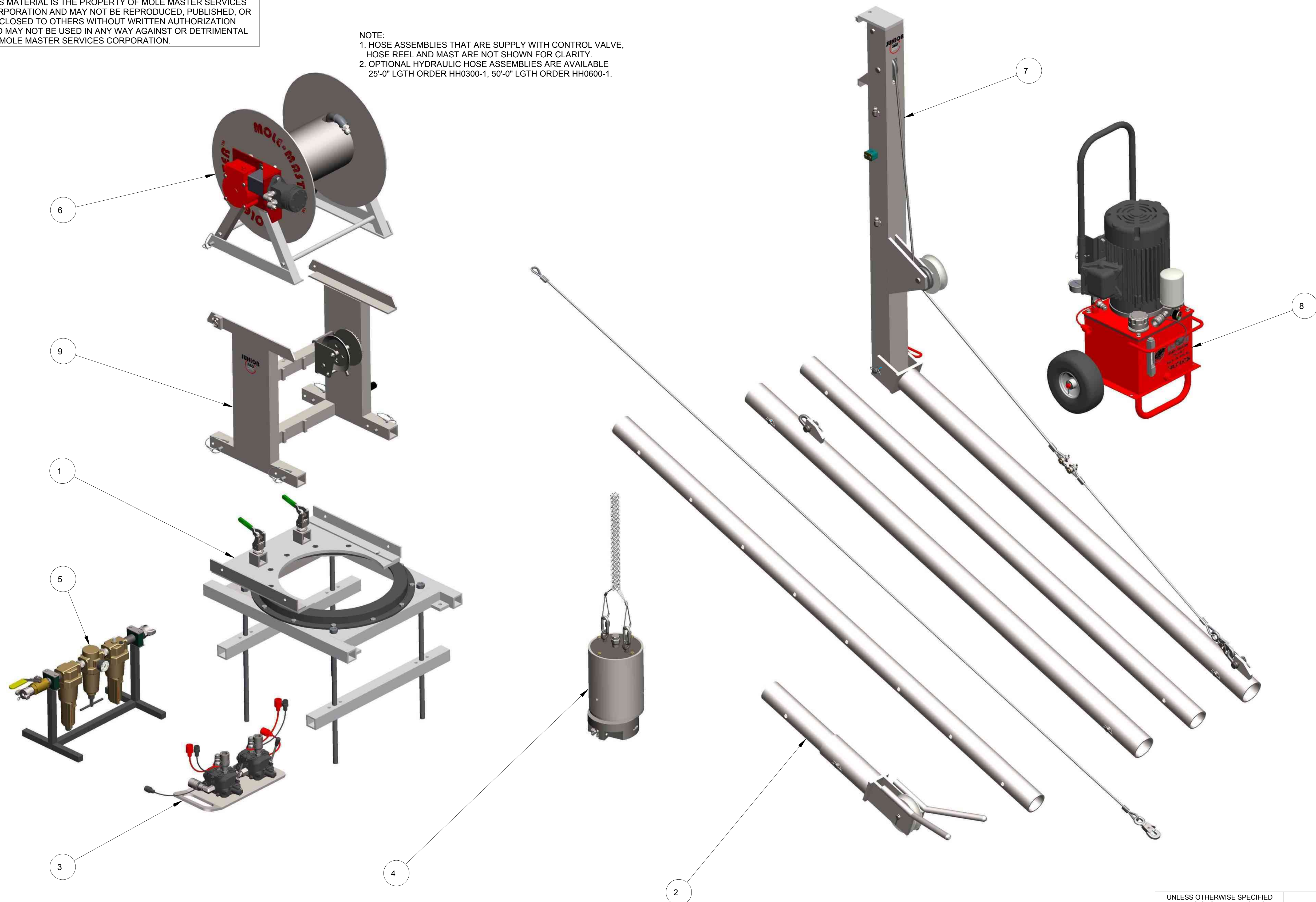


THIS MATERIAL IS THE PROPERTY OF MOLE MASTER SERVICES CORPORATION AND MAY NOT BE REPRODUCED, PUBLISHED, OR DISCLOSED TO OTHERS WITHOUT WRITTEN AUTHORIZATION AND MAY NOT BE USED IN ANY WAY AGAINST OR DETRIMENTAL TO MOLE MASTER SERVICES CORPORATION.

NOTE:  
 1. HOSE ASSEMBLIES THAT ARE SUPPLY WITH CONTROL VALVE, HOSE REEL AND MAST ARE NOT SHOWN FOR CLARITY.  
 2. OPTIONAL HYDRAULIC HOSE ASSEMBLIES ARE AVAILABLE 25'-0" LGTH ORDER HH0300-1, 50'-0" LGTH ORDER HH0600-1.

REVISION HISTORY			
REV	DESCRIPTION	DATE	BY



ITEM	QTY	PART NO.	DESCRIPTION
9	1	SF3001-00	UPPER SUPPORT FRAME
8	1	PU3100-00	POWER UNIT ASSEMBLY
7	1	M3100-00	MAST ASSEMBLY
6	1	HR3100-00	HOSE REEL ASSEMBLY
5	1	FRL3000-00	FILTER-REGULATOR-LUBRICATOR ASSEMBLY
4	1	CH2000-00	CUTTING HEAD ASSEMBLY
3	1	CV3100-00	CONTROL VALVE ASSEMBLY
2	1	JB3100-00	BOOM ASSEMBLY
1	1	BF3000-00	BEARING FRAME ASSEMBLY

UNLESS OTHERWISE SPECIFIED DIMENSIONS ARE IN INCHES.

TOLERANCES ARE:  
 DECIMALS ANGLES  
 .XX± .01 ± 2°  
 .XXX± .005  
 FRACTIONAL ± 1/16

DO NOT SCALE DRAWING

TREATMENT - ENGR

FINISH -

MATERIAL SEE BOM

APPROVALS	DATE
DRAWN	EPP 01-17-13
CHECKED	-
ENGR	-

27815 STATE ROUTE 7  
 MARIETTA, OHIO  
 45750 USA  
 740-374-6726

**MOLE-MASTER SERVICES CORPORATION**

TITLE: PNEUMATIC JUNIOR 360  
 MODEL NO: JR360P  
 MASTER PARTS LIST

SCALE 1/8

DWG NO. PL3360P-1

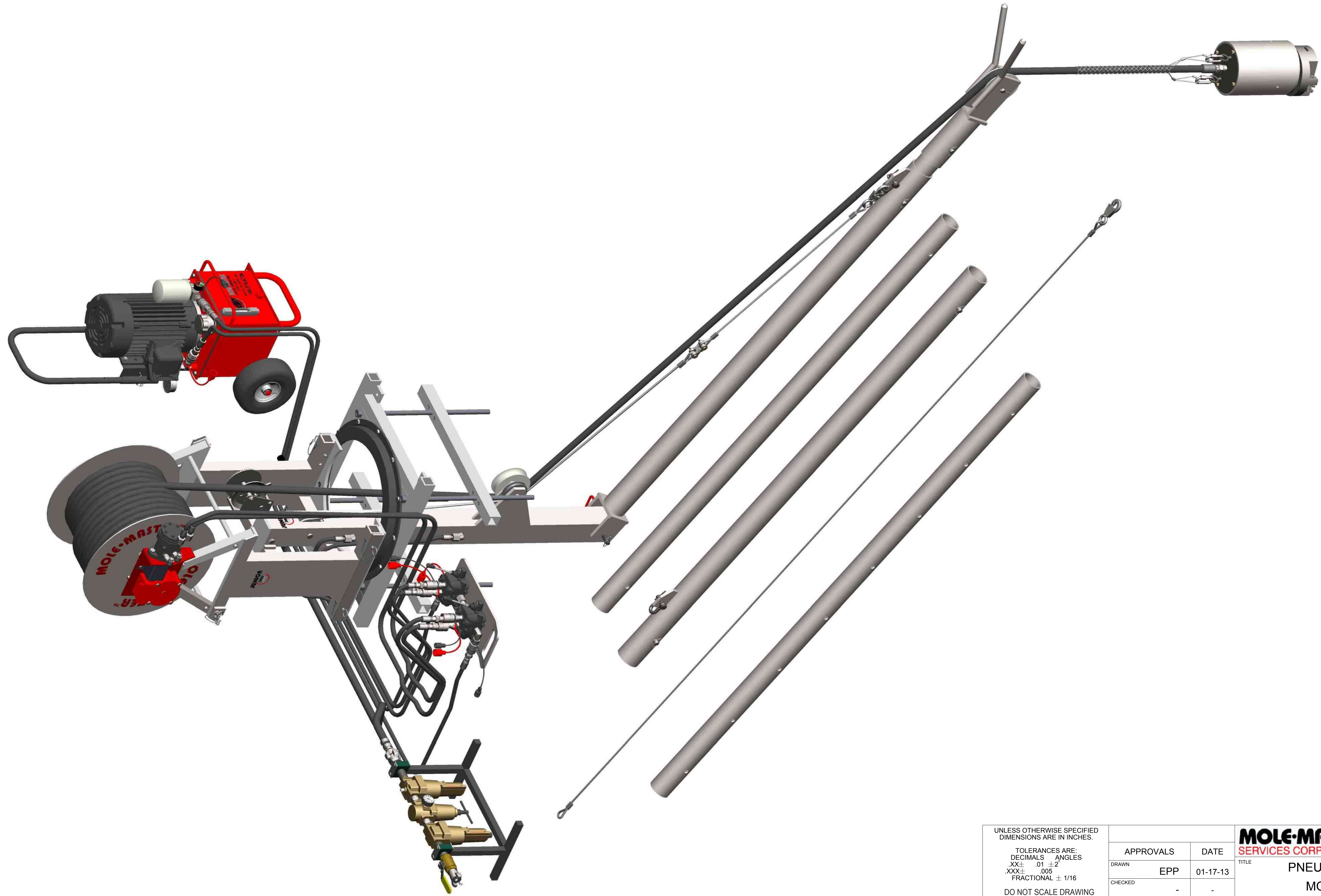
REV. -


SHEET 1 OF 2



THIS MATERIAL IS THE PROPERTY OF MOLE MASTER SERVICES CORPORATION AND MAY NOT BE REPRODUCED, PUBLISHED, OR DISCLOSED TO OTHERS WITHOUT WRITTEN AUTHORIZATION AND MAY NOT BE USED IN ANY WAY AGAINST OR DETRIMENTAL TO MOLE MASTER SERVICES CORPORATION.

REVISION HISTORY			
REV	DESCRIPTION	DATE	BY



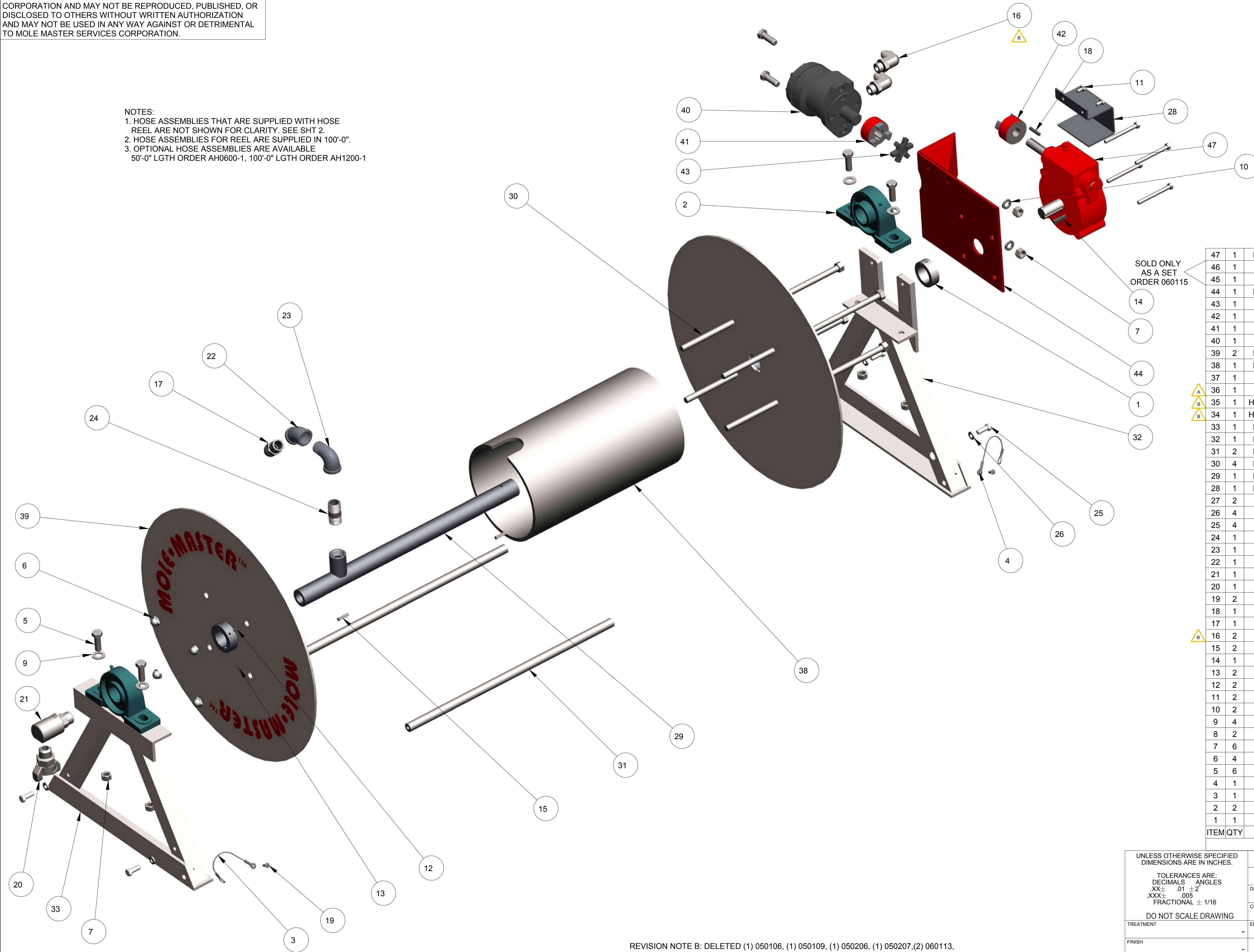
UNLESS OTHERWISE SPECIFIED DIMENSIONS ARE IN INCHES.		APPROVALS		DATE			27815 STATE ROUTE 7 MARIETTA, OHIO 45750 USA 740-374-6728	
TOLERANCES ARE: DECIMALS .01 ± 2" .XX ± .01 .XXX ± .005 FRACTIONAL ± 1/16		DRAWN	EPP	01-17-13	TITLE		PNEUMATIC JUNIOR 360	
DO NOT SCALE DRAWING		CHECKED	-	-	MODEL NO:		JR360P	
TREATMENT	-	ENGR	-	-	MASTER PARTS LIST			
FINISH	-			SIZE	D	DWG NO.	PL3360P-1	REV.
MATERIAL	SEE BOM			SCALE	1/8	CALC WT	ACT WT	SHEET
							2 OF 2	2 OF 2



THIS MATERIAL IS THE PROPERTY OF MOLE MASTER SERVICES CORPORATION AND MAY NOT BE REPRODUCED, PUBLISHED, OR DISCLOSED TO OTHERS WITHOUT WRITTEN AUTHORIZATION AND MAY NOT BE USED IN ANY WAY AGAINST OR DETRIMENTAL TO MOLE MASTER SERVICES CORPORATION.

REVISION HISTORY			
REV	DESCRIPTION	DATE	BY
A	AH1200-1 WAS AH1200-00	05-06-14	EPP
B	SEE REVISION NOTE	08-24-16	EPP

NOTES:  
 1. HOSE ASSEMBLIES THAT ARE SUPPLIED WITH HOSE REEL ARE NOT SHOWN FOR CLARITY. SEE SHT 2.  
 2. HOSE ASSEMBLIES FOR REEL ARE SUPPLIED IN 100'-0".  
 3. OPTIONAL HOSE ASSEMBLIES ARE AVAILABLE  
 50'-0" LGTH ORDER AH0600-1, 100'-0" LGTH ORDER AH1200-1



SOLD ONLY AS A SET ORDER 060115

ITEM QTY	PART NO.	DESCRIPTION
47	1	HR3009-01 TERN GEAR REDUCER
46	1	060114 QUICK COUPLER, MALE
45	1	060113 QUICK COUPLER, FEMALE
44	1	HR2003-00 MOTOR MOUNTING BRACKET WELDMENT
43	1	030116 LOVEJOY-SPIDER COUPLING-L090/L095SOX
42	1	030117 LOVEJOY COUPLER-L095X3/4HUB3/16
41	1	030118 LOVEJOY COUPLER-L095X1HUB1/4
40	1	030137 HYDRAULIC MOTOR
39	2	HR2005-00 HOSE REEL END WELDMENT
38	1	HR2004-01 HOSE REEL DRUM
37	1	AH0120-1 HOSE ASSY,(2) AM6,(4) CP7S99, 120" LGTH
36	1	AH1200-1 HOSE ASSY,#12EFG4K,(1) 12EFG-12FJX,(1) 12EFG-12JIC,100'-0" LGTH
35	1	HH3001-00_6 HOSE ASSY, #6M3K, (1) 6G-8FJX, (1) 6G-8MP, 140" LGTH
34	1	HH3001-00_5 HOSE ASSY, #6M3K, (1) 6G-8FJX, (1) 6G-8MP, 140" LGTH
33	1	HR3010-00 FRAME, IDLER SIDE
32	1	HR3001-00 FRAME, DRIVE SIDE
31	2	HR3003-01 FRAME CONNECTING ROD
30	4	HR3008-00 DRUM TIE ROD
29	1	HR3011-00 DRIVE SHAFT WELDMENT
28	1	HR2000-02 COUPLING GUARD
27	2	050200 AIR KING SAFETY CLIP
26	4	010137 3/8", SPLIT LOCK WASHER, ZP
25	4	010117 3/8-16 X 1", HHCS, GR. 5, ZP
24	1	060102 3/4" PIPE NIPPLE X 2" LONG, SCHD 80, STL
23	1	060104 3/4" NPT, MALE PIPE-FEMALE PIPE 90° STREET ELBOW
22	1	060103 3/4" NPT PIPE 45° ELBOW, BLACK IRON STL
21	1	060111 3/4" NPT SUPER SWIVEL, 90° SWIVEL, MALE PIPE-FEMALE PIPE
20	1	050202 3/4" MPT, CHICAGO FITTING/AIR KING UNIVERSAL COUPLING
19	2	010113 3/16", BLIND POP-RIVET, BUTTON HEAD, ALUM
18	1	010108 3/16" SQUARE X 1-1/4" L, MACHINE KEY, STL
17	1	050100 12MJ-12MP, MALE JIC-MALE PIPE THREAD STRAIGHT HYD ADAPTER
16	2	020115 10MB-8MJ90, MALE O RING BOSS-MALE JIC 90° EL HYD ADPT
15	2	010109 1/4" SQUARE X 1" L, MACHINE KEY, STL
14	1	010110 1/4" SQUARE X 1-1/4" L, MACHINE KEY, STL
13	2	010126 1/4-20 X 1/4", SCKT. SET SCR, CUP PT, BLK. OXIDE
12	2	010127 1/4-20 X 1/2", SCKT. SET SCR, CUP PT, BLK. OXIDE
11	2	010114 1/4-20 X 1/2", HHCS, GR. 5, ZP
10	2	010138 1/2", SPLIT LOCK WASHER, ZP
9	4	010132 1/2", FLAT WASHER, SAE, ZP
8	2	010158 1/2" X 2-1/2", DETENT RING PIN
7	6	010140 1/2-13, HEX NUT, GR. A, ZP
6	4	010143 1/2-13, ACORN NUT, NICKEL PLT
5	6	010120 1/2-13 X 1-1/2", HHCS, GR. 5, ZP
4	1	010111_1 1/16" X 6", BARE CABLE, STEEL LANYARD
3	1	010111 1/16" X 6", BARE CABLE, STEEL LANYARD
2	2	030123 1-1/2", PILLOW BLOCK BEARING
1	1	010134 1-1/2" ID X 3/4" W, CLAMPING COLLAR, ZP

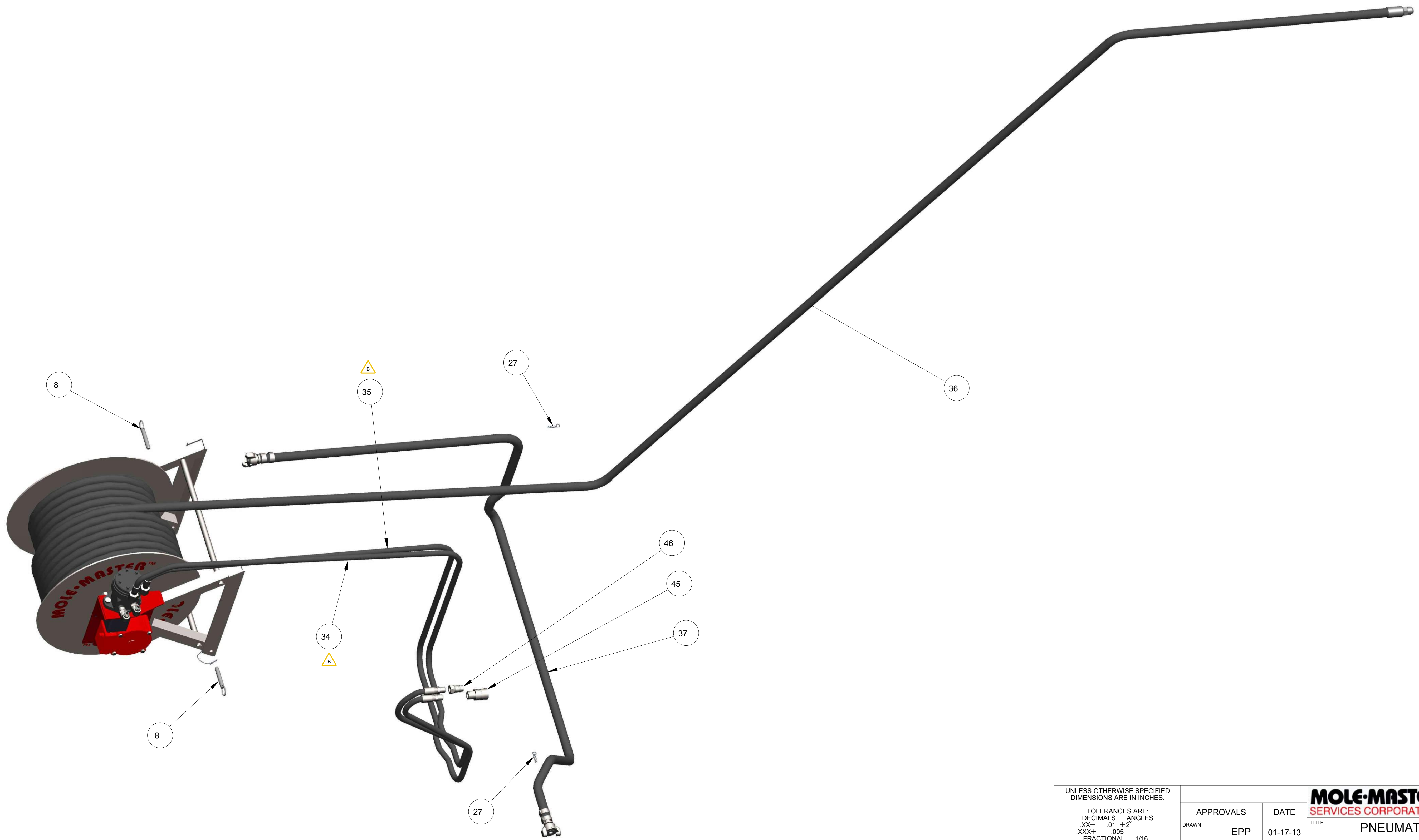
REVISION NOTE B: DELETED (1) 050106, (1) 050109, (1) 050206, (1) 050207,(2) 060113, (2) 060114, ADDED (2) 020115, AND REPLACED (2) HH0120-1 WITH (2) HH3001-00


UNLESS OTHERWISE SPECIFIED DIMENSIONS ARE IN INCHES.		APPROVALS		DATE	TITLE	
TOLERANCES ARE: DECIMALS .01 ± 2" .XX± .01 ± 2" .XXX± .005 FRACTIONAL ± 1/16		EPP		01-17-13	PNEUMATIC JUNIOR 360 MODEL NO: JR360P HOSE REEL ASSEMBLY	
DO NOT SCALE DRAWING		CHECKED		-	DWG NO. PL3360P-2	
TREATMENT		ENGR		-	REV. B	
FINISH		SCALE		1/4	SHEET 1 OF 2	
MATERIAL SEE BOM		SCALE		1/4	SHEET 1 OF 2	



THIS MATERIAL IS THE PROPERTY OF MOLE MASTER SERVICES CORPORATION AND MAY NOT BE REPRODUCED, PUBLISHED, OR DISCLOSED TO OTHERS WITHOUT WRITTEN AUTHORIZATION AND MAY NOT BE USED IN ANY WAY AGAINST OR DETRIMENTAL TO MOLE MASTER SERVICES CORPORATION.

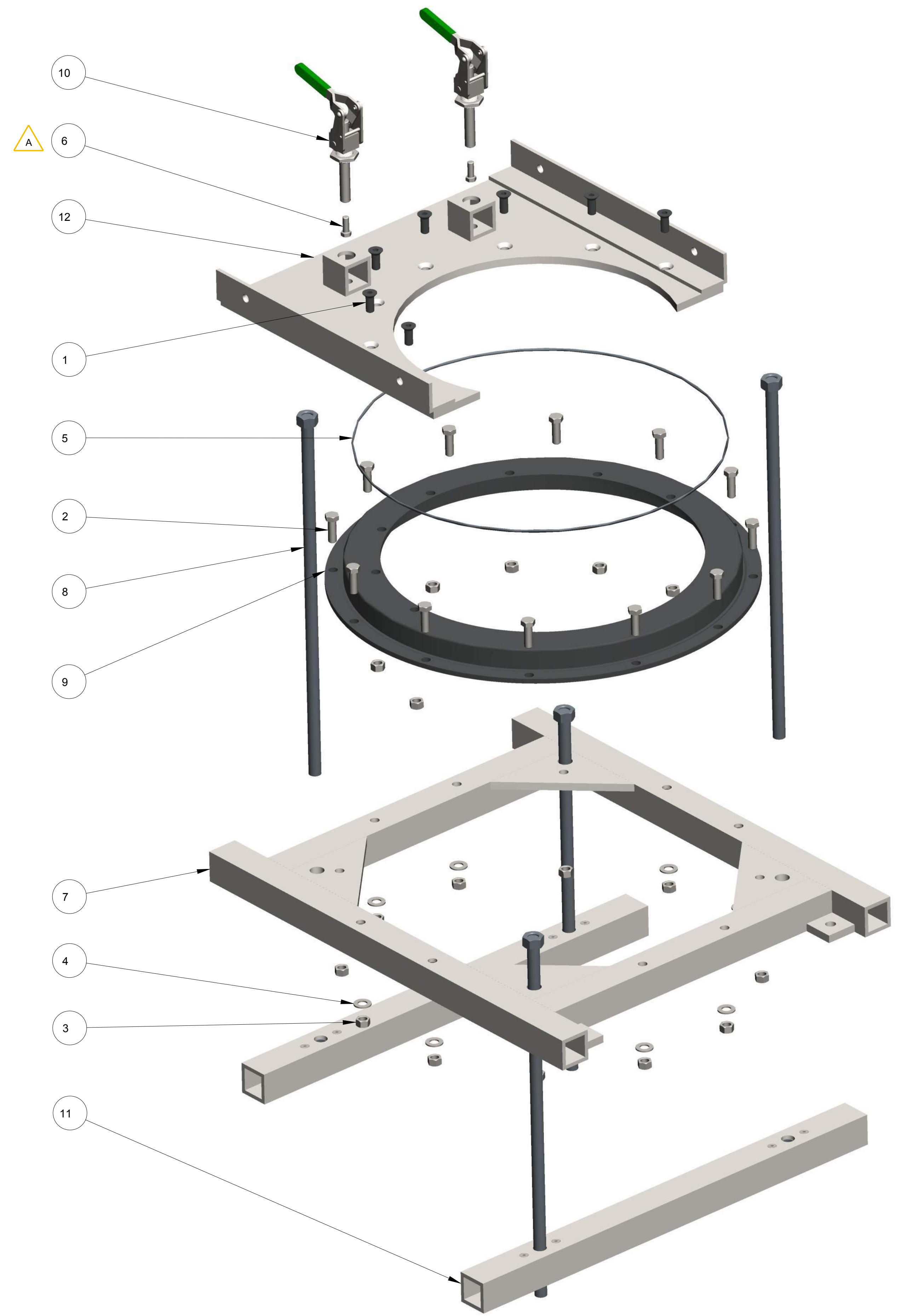
REVISION HISTORY			
REV	DESCRIPTION	DATE	BY
A	AH1200-1 WAS AH1200-00	05-06-14	EPP
B	SEE REVISION NOTE ON SHEET 1	08-24-16	EPP




UNLESS OTHERWISE SPECIFIED DIMENSIONS ARE IN INCHES.		APPROVALS		DATE	 27815 STATE ROUTE 7 MARIETTA, OHIO 45750 USA 740-374-6726
TOLERANCES ARE: DECIMALS .01 ± 2" .XX ± .005 FRACTIONAL ± 1/16		DRAWN	EPP	01-17-13	
DO NOT SCALE DRAWING		CHECKED	-	-	TITLE
TREATMENT	-	ENGR	-	-	PNEUMATIC JUNIOR 360
FINISH	-				MODEL NO: JR360P
MATERIAL					HOSE REEL ASSEMBLY
					SIZE
					DWG NO.
					PL3360P-2
					REV.
					B
	SCALE 3/20				CALC WT
					ACT WT
					SHEET
					2 OF 2

THIS MATERIAL IS THE PROPERTY OF MOLE MASTER SERVICES CORPORATION AND MAY NOT BE REPRODUCED, PUBLISHED, OR DISCLOSED TO OTHERS WITHOUT WRITTEN AUTHORIZATION AND MAY NOT BE USED IN ANY WAY AGAINST OR DETRIMENTAL TO MOLE MASTER SERVICES CORPORATION.

REVISION HISTORY			
REV	DESCRIPTION	DATE	BY
A	ADDED (2) 010117 TO BOM	03-12-14	EPP



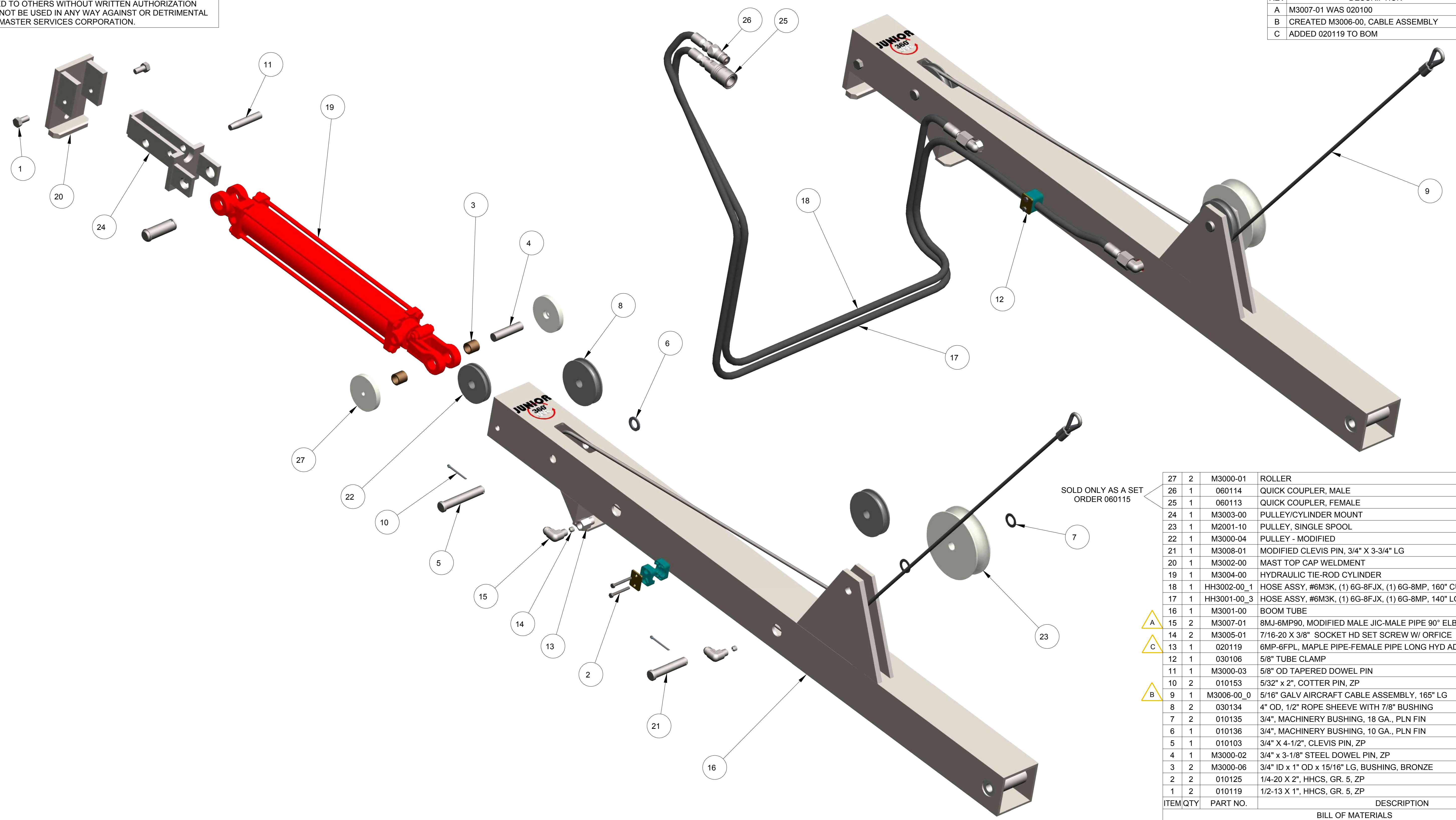
ITEM	QTY	PART NO.	DESCRIPTION
12	1	BF3001-00	UPPER SUPPORT
11	2	BF2003-00	UNDER ROOF LOCKING BAR ASSY
10	2	030107	PLUNGER TOGGLE CLAMP
9	1	4001	MAIN ROTATION BEARING
8	4	BF2004-00	LOCKING BAR ATTACHMENT BOLT
7	1	BF2002-00	BEARING SUPPORT
6	2	010117	3/8-16 X 1", HHCS, GR. 5, ZP
5	1	020205	22" ID X .210" CS BUNA O-RING, VULCANIZE
4	8	010132	1/2", FLAT WASHER, SAE, ZP
3	19	010140	1/2-13, HEX NUT, GR. A, ZP
2	12	010120	1/2-13 X 1-1/2", HHCS, GR. 5, ZP
1	7	010124	1/2-13 X 1-1/2", FHSCS, BLK. OXIDE
ITEM	QTY	PART NO.	DESCRIPTION

UNLESS OTHERWISE SPECIFIED DIMENSIONS ARE IN INCHES.		APPROVALS		DATE			27815 STATE ROUTE 7 MARIETTA, OHIO 45750 USA 740-374-6726	
TOLERANCES ARE: DECIMALS .XX ± .01 ± 2" .XXX ± .005 FRACTIONAL ± 1/16		DRAWN		EPP	01-17-13		TITLE	
DO NOT SCALE DRAWING		CHECKED		-	-		PNEUMATIC JUNIOR 360 MODEL NO: JR360P BEARING FRAME ASSEMBLY	
TREATMENT		ENGR		-	-		SIZE	
FINISH		MATERIAL		SEE BOM		DWG NO.		REV.
						D		A
						SCALE		1 OF 1
						1/4		1 OF 1



THIS MATERIAL IS THE PROPERTY OF MOLE MASTER SERVICES CORPORATION AND MAY NOT BE REPRODUCED, PUBLISHED, OR DISCLOSED TO OTHERS WITHOUT WRITTEN AUTHORIZATION AND MAY NOT BE USED IN ANY WAY AGAINST OR DETRIMENTAL TO MOLE MASTER SERVICES CORPORATION.

REVISION HISTORY			
REV	DESCRIPTION	DATE	BY
A	M3007-01 WAS 020100	03-05-14	EPP
B	CREATED M3006-00, CABLE ASSEMBLY	11-30-15	EPP
C	ADDED 020119 TO BOM	12-09-16	EPP



SOLD ONLY AS A SET  
ORDER 060115

ITEM	QTY	PART NO.	DESCRIPTION
27	2	M3000-01	ROLLER
26	1	060114	QUICK COUPLER, MALE
25	1	060113	QUICK COUPLER, FEMALE
24	1	M3003-00	PULLEY/CYLINDER MOUNT
23	1	M2001-10	PULLEY, SINGLE SPOOL
22	1	M3000-04	PULLEY - MODIFIED
21	1	M3008-01	MODIFIED CLEVIS PIN, 3/4" X 3-3/4" LG
20	1	M3002-00	MAST TOP CAP WELDMENT
19	1	M3004-00	HYDRAULIC TIE-ROD CYLINDER
18	1	HH3002-00_1	HOSE ASSY, #6M3K, (1) 6G-8FJX, (1) 6G-8MP, 160" CUT LGTH
17	1	HH3001-00_3	HOSE ASSY, #6M3K, (1) 6G-8FJX, (1) 6G-8MP, 140" LGTH
16	1	M3001-00	BOOM TUBE
A	15	2	M3007-01 8MJ-6MP90, MODIFIED MALE JIC-MALE PIPE 90° ELBOW
C	14	2	M3005-01 7/16-20 X 3/8" SOCKET HD SET SCREW W/ ORFICE
C	13	1	020119 6MP-6FPL, MAPLE PIPE-FEMALE PIPE LONG HYD ADAPTER
	12	1	030106 5/8" TUBE CLAMP
	11	1	M3000-03 5/8" OD TAPERED DOWEL PIN
	10	2	010153 5/32" x 2", COTTER PIN, ZP
B	9	1	M3006-00_0 5/16" GALV AIRCRAFT CABLE ASSEMBLY, 165" LG
	8	2	030134 4" OD, 1/2" ROPE SHEEVE WITH 7/8" BUSHING
	7	2	010135 3/4", MACHINERY BUSHING, 18 GA., PLN FIN
	6	1	010136 3/4", MACHINERY BUSHING, 10 GA., PLN FIN
	5	1	010103 3/4" X 4-1/2", CLEVIS PIN, ZP
	4	1	M3000-02 3/4" x 3-1/8" STEEL DOWEL PIN, ZP
	3	2	M3000-06 3/4" ID x 1" OD x 15/16" LG, BUSHING, BRONZE
	2	2	010125 1/4-20 X 2", HHCS, GR. 5, ZP
	1	2	010119 1/2-13 X 1", HHCS, GR. 5, ZP

UNLESS OTHERWISE SPECIFIED  
DIMENSIONS ARE IN INCHES.

TOLERANCES ARE:  
DECIMALS ANGLES  
.XX± .01 ±2°  
.XXX± .005  
FRACTIONAL ± 1/16

DO NOT SCALE DRAWING

TREATMENT -

FINISH -

MATERIAL SEE BOM

APPROVALS	DATE
DRAWN	
CHECKED	
ENGR	

27815 STATE ROUTE 7  
MARIETTA, OHIO  
45750 USA  
740-374-6726

**MOLE-MASTER**  
SERVICES CORPORATION

TITLE  
**PNEUMATIC JUNIOR 360**  
MODEL NO: JR360P  
MAST ASSEMBLY

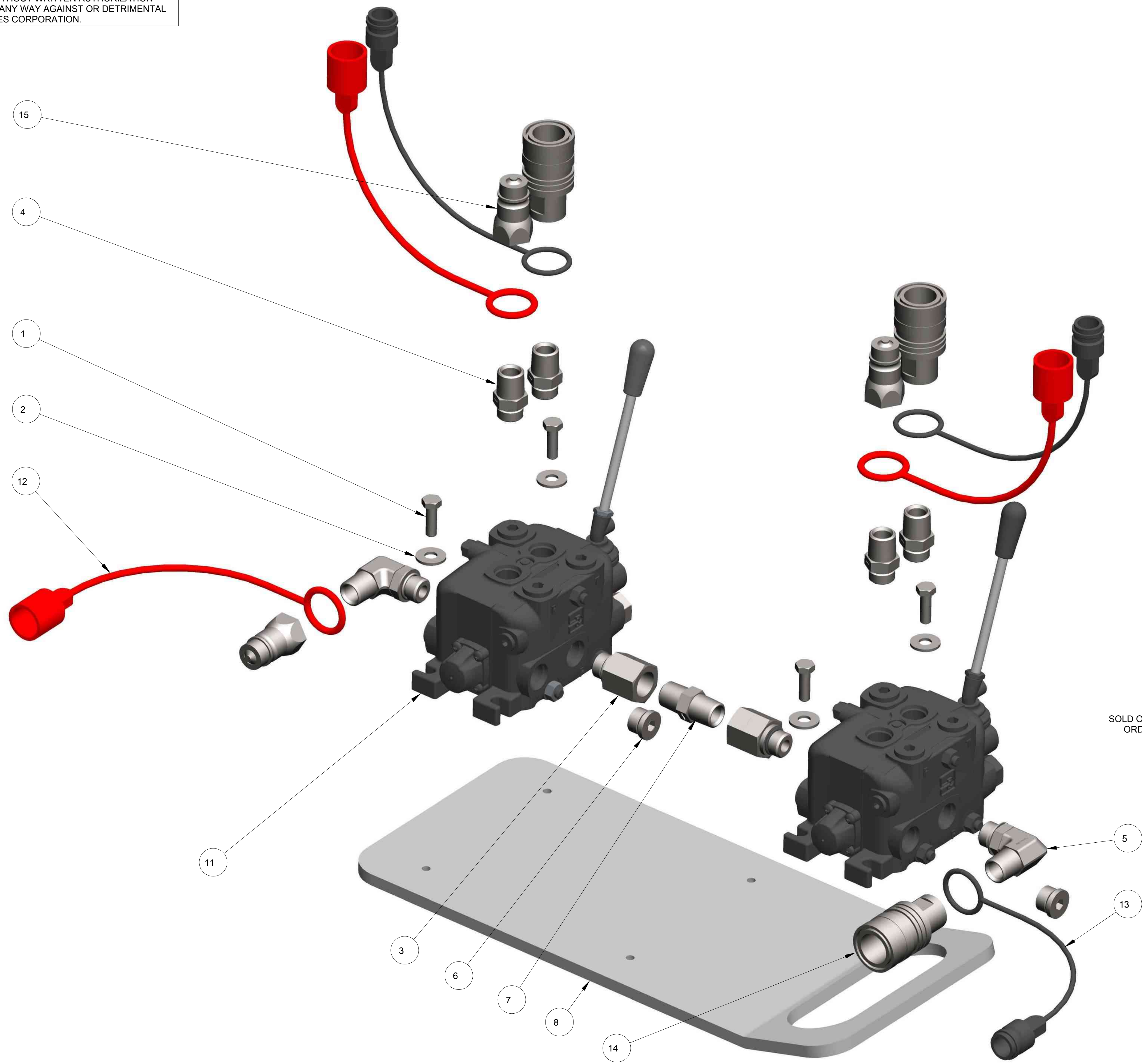
SIZE DWG NO. REV.  
D PL3360P-4 C

SCALE 1/4 SHEET 1 OF 1



THIS MATERIAL IS THE PROPERTY OF MOLE MASTER SERVICES CORPORATION AND MAY NOT BE REPRODUCED, PUBLISHED, OR DISCLOSED TO OTHERS WITHOUT WRITTEN AUTHORIZATION AND MAY NOT BE USED IN ANY WAY AGAINST OR DETRIMENTAL TO MOLE MASTER SERVICES CORPORATION.


REVISION HISTORY			
REV	DESCRIPTION	DATE	BY



NOTE:  
 1. HYDRAULIC HOSE ASSEMBLIES ARE NOT SHOWN FOR CLARITY.  
 2. QUICK COUPLERS THAT CONNECT TO HYDRAULIC HOSES ARE NOT SHOWN FOR CLARITY.

SOLD ONLY AS A SET  
 ORDER 060115

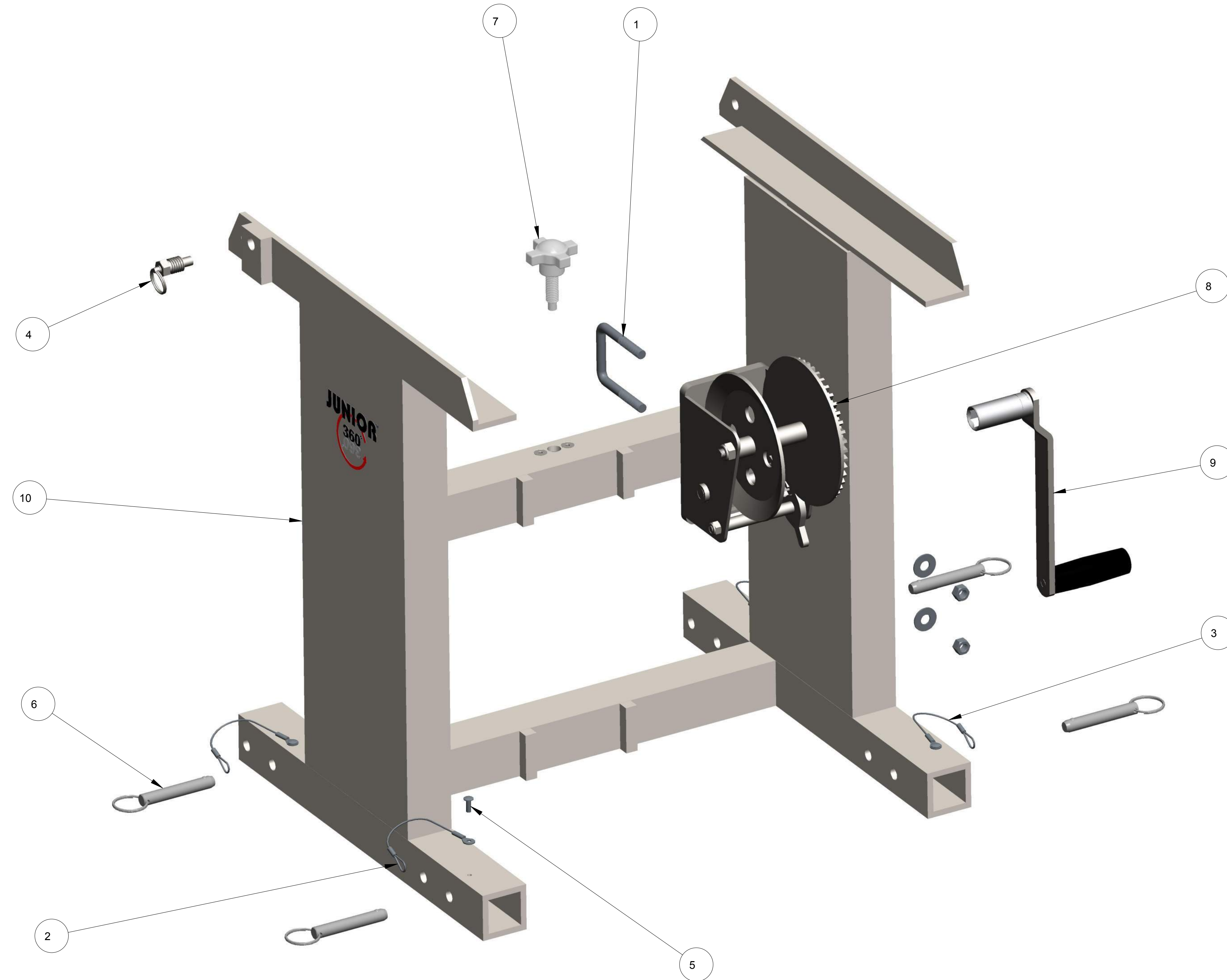
ITEM	QTY	PART NO.	DESCRIPTION
15	5	060114	QUICK COUPLER, MALE
14	5	060113	QUICK COUPLER, FEMALE
13	3	050207	PLASTIC SOCKET DUST CAP, QUICK DISCONNECT COUPLING
12	3	050206	PLASTIC PLUG DUST CAP, QUICK DISCONNECT COUPLING
11	2	060116	HYDRAULIC CONTROL VALVE, SINGLE SECTION VALVE
10	1	HH0120-1_3	HOSE ASSY, #8M3K, (2) 8GE-8MP, 120" LGTH
9	1	HH0120-1_2	HOSE ASSY, #8M3K, (2) 8GE-8MP, 120" LGTH
8	1	CV3100-01	CONTROL VALVE MOUNTING PLATE
7	1	050102	8MP-8MP, MALE PIPE-MALE PIPE HEX NIPPLE
6	2	020112	8MB-SH-PLUG, MALE O RING BOSS PLUG HYD ADAPTER
5	2	020117	8MB-8MP90, MALE O RING BOSS-MALE PIPE 90° ELBOW HYD ADPT
4	4	020109	8MB-8MP, MALE O RING BOSS-MALE PIPE THREAD HYD ADAPTER
3	2	020110	8MB-8FP, MALE O RING BOSS-FEMALE PIPE THREAD STR HYD ADAPT
2	4	010130	5/16", FLAT WASHER, SAE, ZP
1	4	010115	5/16-18 X 1", HHCS, GR. 5, ZP

UNLESS OTHERWISE SPECIFIED DIMENSIONS ARE IN INCHES.		APPROVALS		DATE		27815 STATE ROUTE 7 MARIETTA, OHIO 45750 USA 740-374-6726
TOLERANCES ARE: DECIMALS .01 ± 2" .XX± .005 FRACTIONAL ± 1/16 DO NOT SCALE DRAWING		DRAWN	EPP	01-17-13		
TREATMENT	-	CHECKED	-	-	TITLE	
FINISH	-	ENGR	-	-	PNEUMATIC JUNIOR 360 MODEL NO: JR360P CONTROL VALVE ASSEMBLY	
MATERIAL	SEE BOM	SIZE		D	DWG NO.	REV.
		SCALE		5/8	PL3360P-5	-
		CARC WT	ACT WT	SHEET	1 OF 1	



THIS MATERIAL IS THE PROPERTY OF MOLE MASTER SERVICES CORPORATION AND MAY NOT BE REPRODUCED, PUBLISHED, OR DISCLOSED TO OTHERS WITHOUT WRITTEN AUTHORIZATION AND MAY NOT BE USED IN ANY WAY AGAINST OR DETRIMENTAL TO MOLE MASTER SERVICES CORPORATION.

REVISION HISTORY			
REV	DESCRIPTION	DATE	BY
A	RVSD BOM, CREATED SF3010-00 WELDMENT	10-19-15	EPP



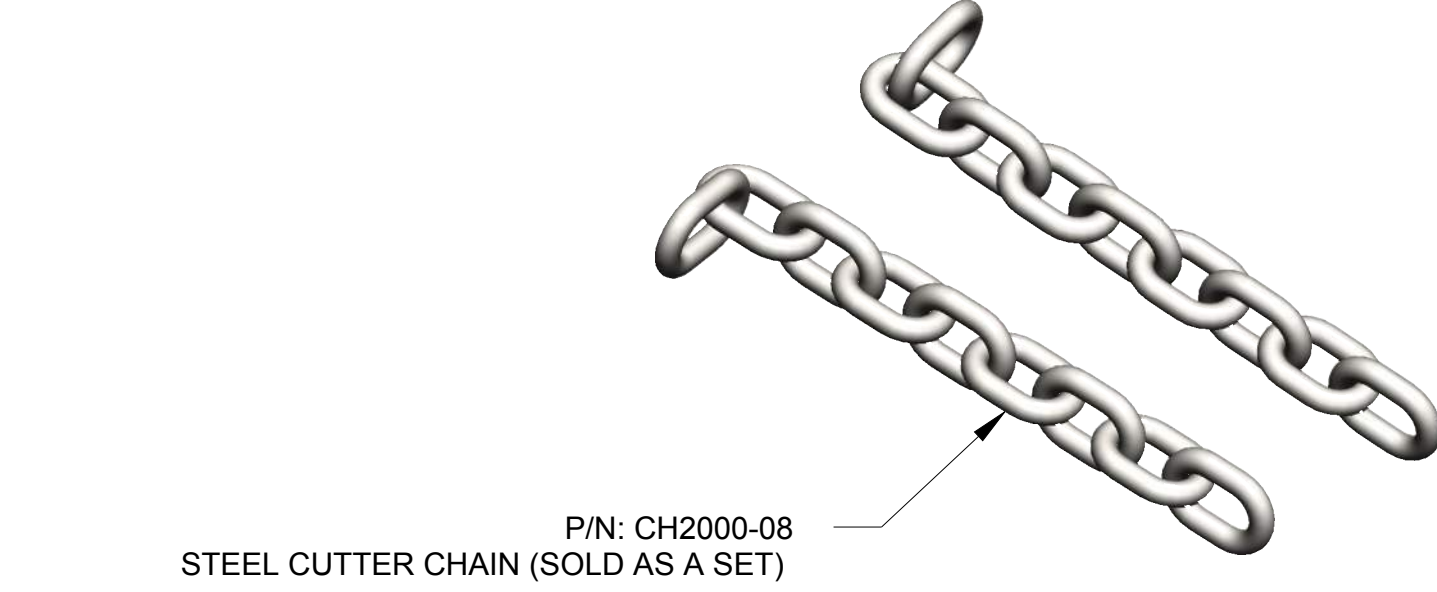
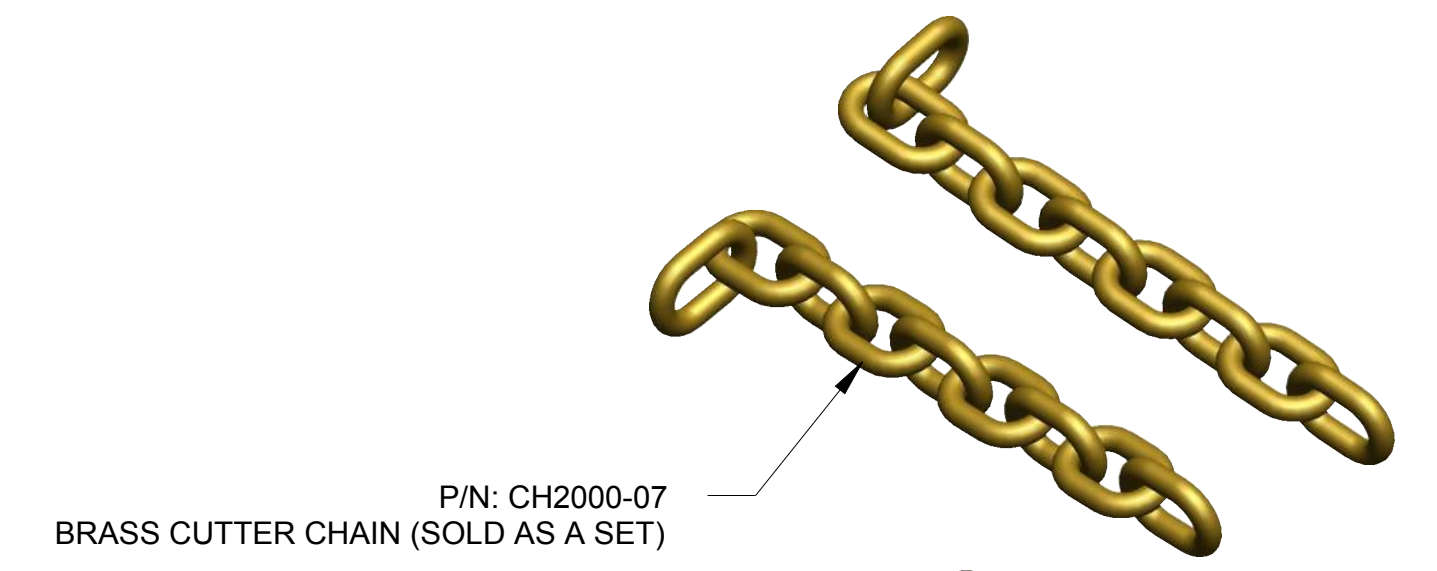
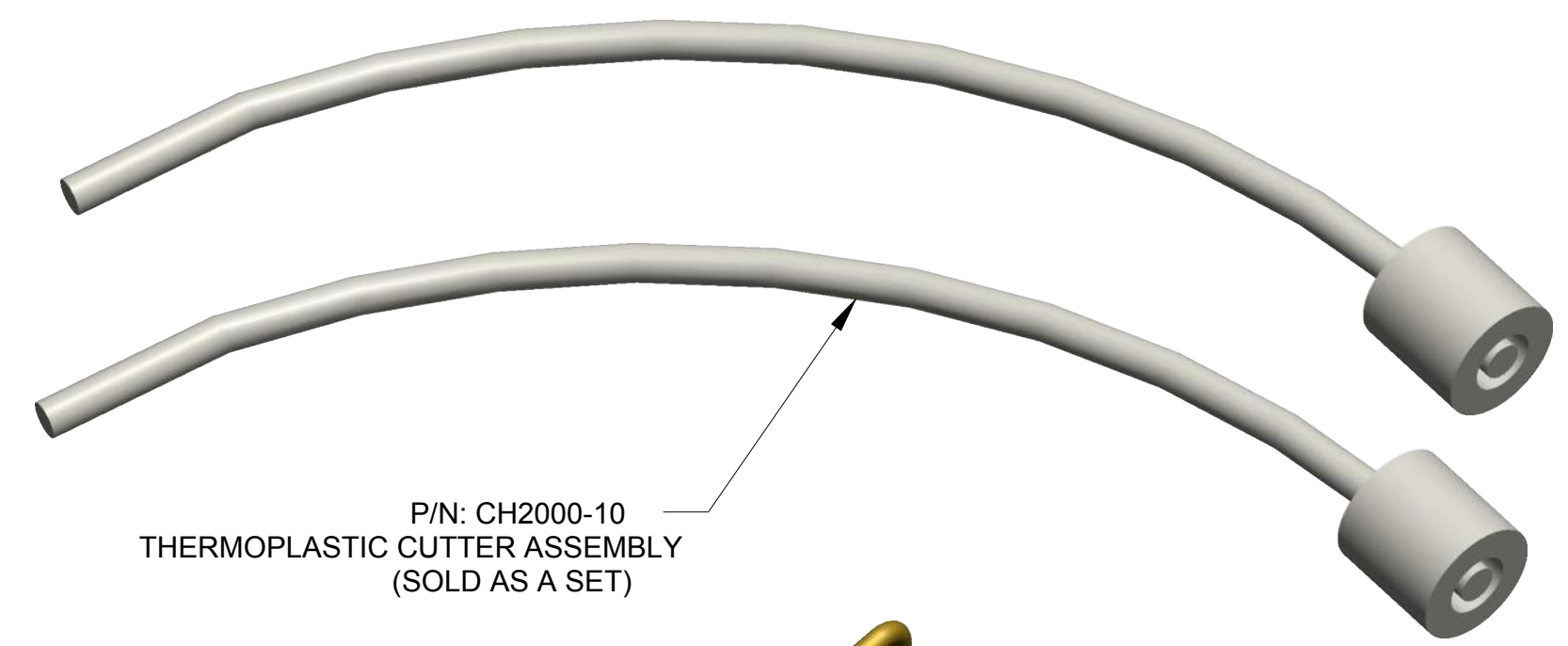
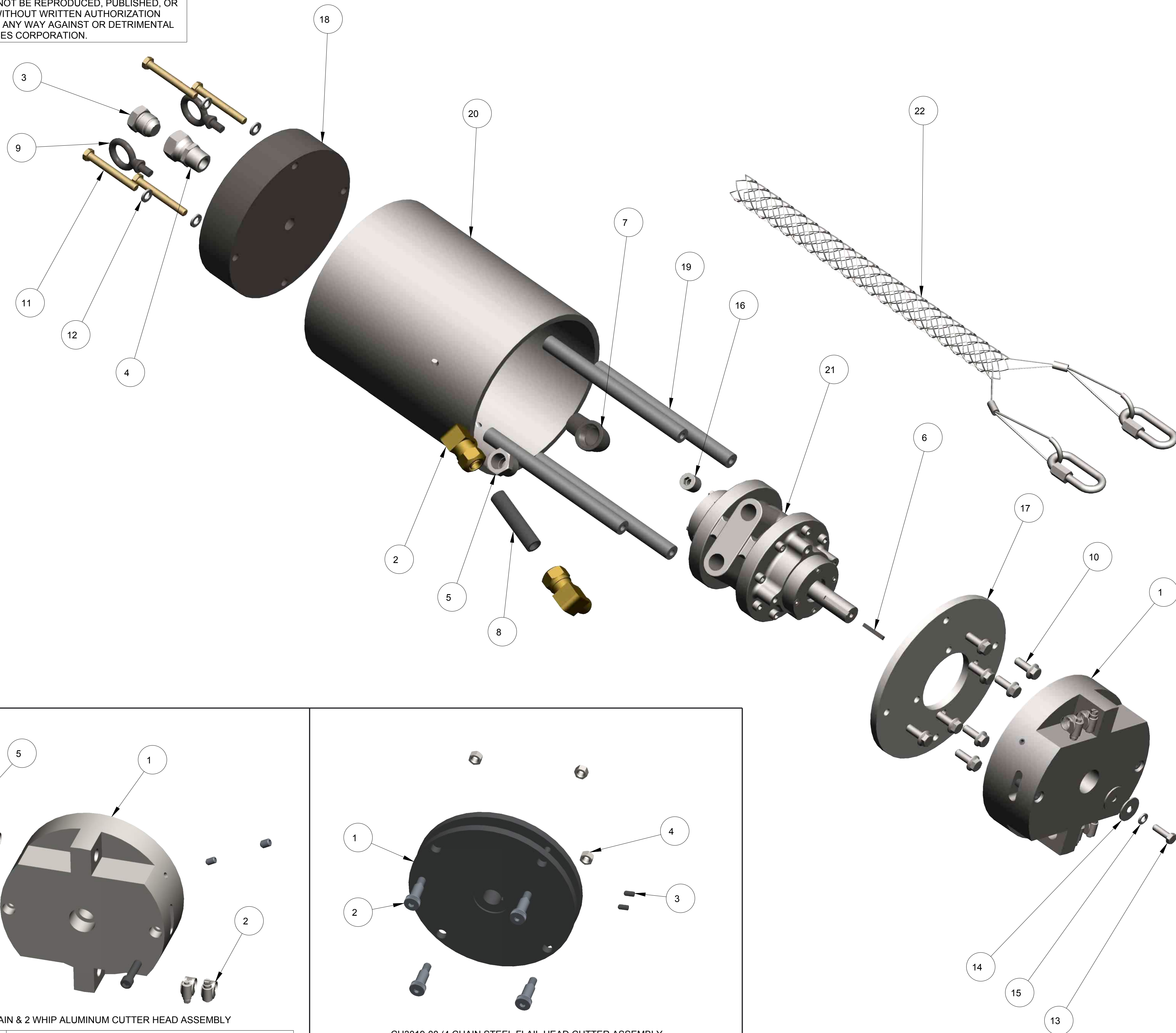
ITEM	QTY	PART NO.	DESCRIPTION
10	1	SF3010-00	UPPER SUPPORT FRAME WELDMENT
9	1	SF3003-00	MODIFIED WINCH HANDLE
8	1	SF3002-00	MODIFIED WINCH ASSEMBLY
7	1	090107	1/2-13 x 1-1/2", HAND KNOB
6	4	010158	1/2" X 2-1/2", DETENT RING PIN
5	4	010113	3/16", BLIND POP-RIVET, BUTTON HEAD, ALUM
4	1	010112	5/8-11, HEX PULL PIN
3	2	010111_1	1/16" X 6", BARE CABLE, STEEL LANYARD
2	2	010111	1/16" X 6", BARE CABLE, STEEL LANYARD
1	1	010101	3/8-16 X 2" X 3", U-BOLT, ZP

UNLESS OTHERWISE SPECIFIED DIMENSIONS ARE IN INCHES.		APPROVALS		DATE			27815 STATE ROUTE 7 MARIETTA, OHIO 45750 USA 740-374-6726	
TOLERANCES ARE: DECIMALS .01 ± 2" .XX ± .01 ± 2" .XXX ± .005 FRACTIONAL ± 1/16		DRAWN		EPP	TITLE		PNEUMATIC JUNIOR 360	
DO NOT SCALE DRAWING		CHECKED		-	MODEL NO:		JR360P	
TREATMENT		ENGR		-	UPPER SUPPORT FRAME ASSY		REV.	
FINISH		SCALE		3/8	DWG NO.		PL3360P-6	
MATERIAL		SHEET		1 OF 1	REV.		A	
SEE BOM		SCALE		3/8	SHEET		1 OF 1	

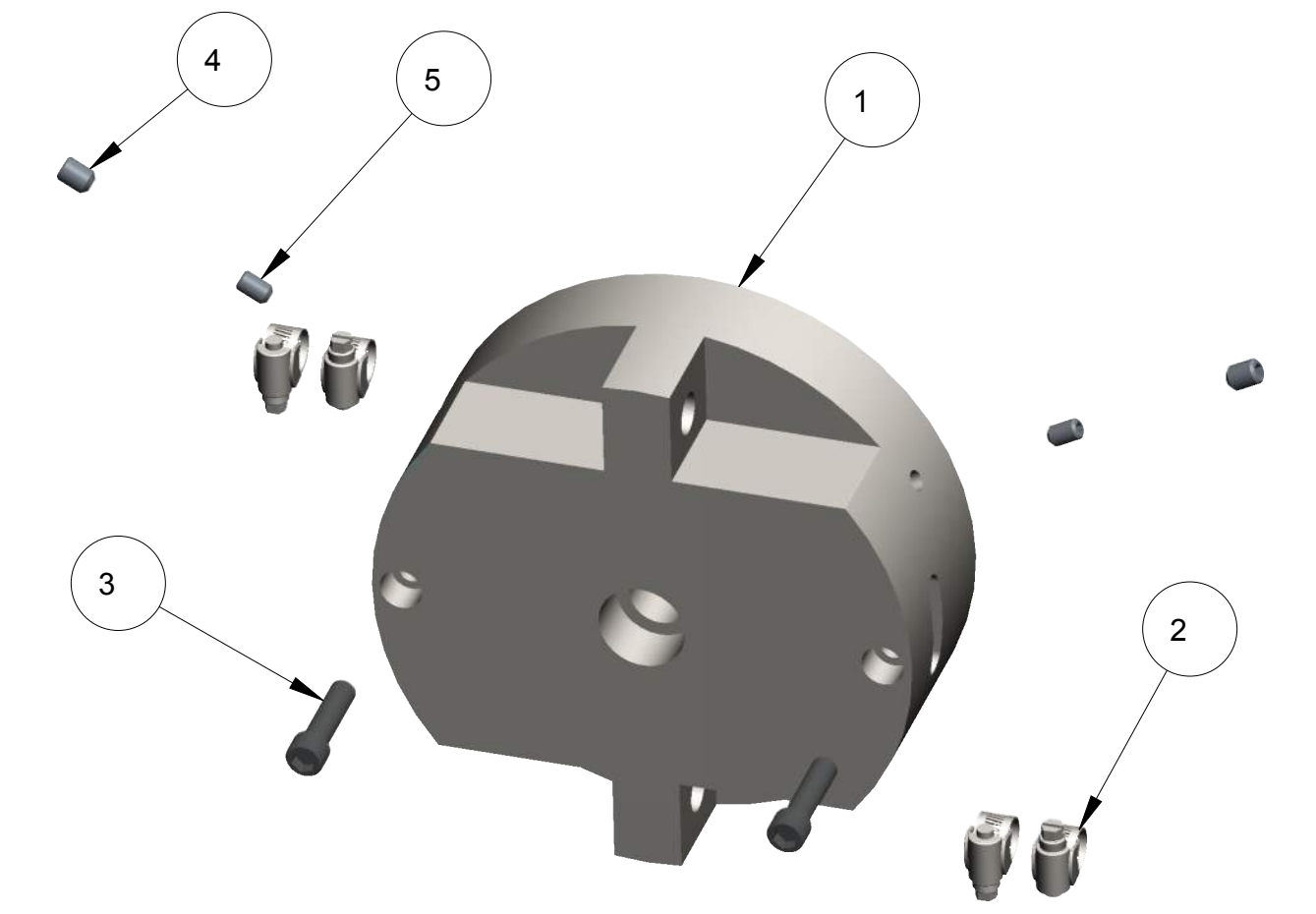


THIS MATERIAL IS THE PROPERTY OF MOLE MASTER SERVICES CORPORATION AND MAY NOT BE REPRODUCED, PUBLISHED, OR DISCLOSED TO OTHERS WITHOUT WRITTEN AUTHORIZATION AND MAY NOT BE USED IN ANY WAY AGAINST OR DETRIMENTAL TO MOLE MASTER SERVICES CORPORATION.

REVISION HISTORY			
REV	DESCRIPTION	DATE	BY
A	ADDED (1) CH3018-00	02-19-15	EPP



ITEM	QTY	PART NO.	DESCRIPTION
22	1	CH3016-00	STRAIN RELIEF ASSEMBLY
21	1	060108	PNEUMATIC MOTOR
20	1	CH1000-06	OUTER HOUSING
19	4	CH2000-02	CUTTING HEAD TIE ROD
18	1	CH2000-01	COUNTER WEIGHT
17	1	CH2000-04	AIR MOTOR MOUNTING PLATE
16	1	CH3014-01	8MP, HOLLOW HEX PLUG, 21/32" ORIFICE
15	1	040106	5/16", SPLIT LOCK WASHER, ZP
14	2	040105	5/16" X 1-1/4" FENDER WASHER, ZP
13	1	010115	5/16-18 X 1", HHCS, GR. 5, ZP
12	4	010137	3/8", SPLIT LOCK WASHER, ZP
11	4	040101	3/8-16 X 3", HHCS, GR. 8, YZ
10	8	040102	3/8-16 X 1", FLG BOLT, SERRATED WASHER, GR 8.2, ZP
9	2	CH3013-01	3/8 X 5/8" L, EYE BOLT, PLN FIN
8	1	CH3015-01	3/4" X 3-1/4" LG, AIR BRAKE TUBING, NYLON
7	1	060104	3/4" NPT, MALE PIPE-FEMALE PIPE 90° STREET ELBOW
6	1	010108	3/16" SQUARE X 1-1/4" L, MACHINE KEY, STL
5	1	050103	12MP-8FP, MALE PIPE-FEMALE PIPE HEX REDUCER BUSHING HYD ADAPTER
4	1	050107	12MP-12FJX, MALE PIPE-FEMALE JIC SWIVEL STRAIGHT HYD ADAPTER
3	1	050101	12MJ-PLUG, MALE JIC HEX PLUG HYD ADAPTER
2	2	060110	1469 X 12 90 DEG MALE ELBOW
1	1	CH3018-00	2 CHAIN & 2 WHIP ALUMINUM CUTTER HEAD ASSEMBLY

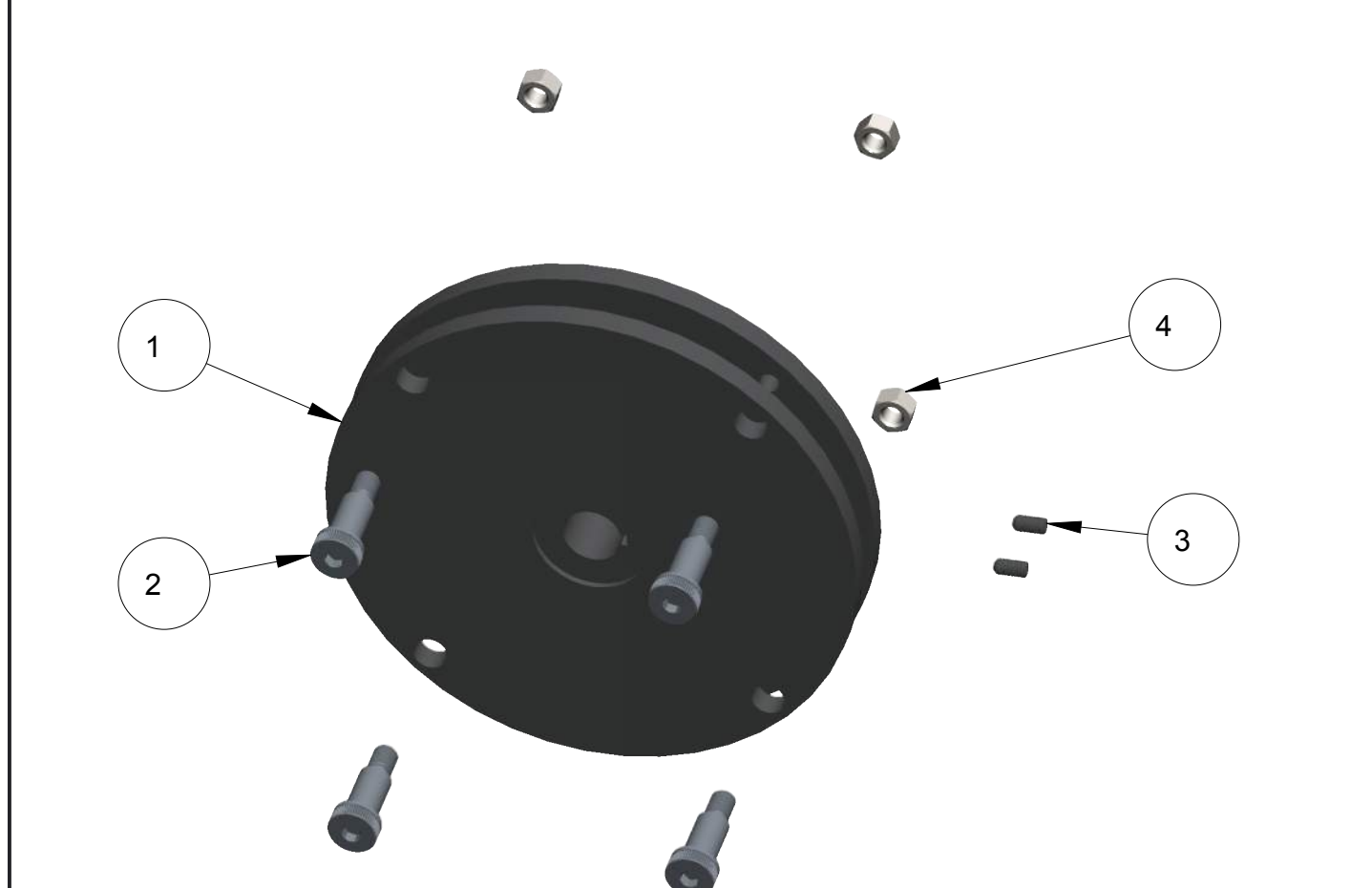


CH3018-00 (2 CHAIN & 2 WHIP ALUMINUM CUTTER HEAD ASSEMBLY)

ITEM	QTY	PART NO.	DESCRIPTION
5	2	040103	5/16-18 X 1/2", SCKT. SET SCR, CUP PT, BLK. OXIDE
4	2	040104	3/8-16 X 1/2", SCKT. SET SCR, CUP PT, BLK. OXIDE
3	2	010121	3/8-16 X 1-1/2", SHCS, BLK. OXIDE
2	4	050208	#6, 7/8" TO 3/8" DIA, SS HOSE CLAMP
1	1	CH2000-05	2 CHAIN & 2 WHIP ALUMINUM CUTTER HEAD

ITEM QTY PART NO. DESCRIPTION

BILL OF MATERIALS



CH3019-00 (4 CHAIN STEEL FLAIL HEAD CUTTER ASSEMBLY)

ITEM	QTY	PART NO.	DESCRIPTION
4	4	010139	3/8-16, HEX NUT, GR. A, ZP
3	2	010127	1/4-20 X 1/2", SCKT. SET SCR, CUP PT, BLK. OXIDE
2	4	010129	1/2 X 1", SCKT SHLDR. SCR, 3/8-16 THD
1	1	CH2000-50	4 CHAIN STEEL FLAIL HEAD

ITEM QTY PART NO. DESCRIPTION

BILL OF MATERIALS

UNLESS OTHERWISE SPECIFIED DIMENSIONS ARE IN INCHES.

TOLERANCES ARE:  
 DECIMALS .01 ± 2"  
 .XX± .005  
 FRACTIONAL ± 1/16

DO NOT SCALE DRAWING

TREATMENT -

FINISH -

MATERIAL SEE BOM

APPROVALS	DATE
EPP	01-17-13

CHECKED - ENGR

SCALE 3/8

SIZE D

DWG NO. PL3360P-7

REV. A

27815 STATE ROUTE 7  
 MARIETTA, OHIO  
 45750 USA  
 740-374-6726

**MOLE-MASTER SERVICES CORPORATION**

TITLE: PNEUMATIC JUNIOR 360  
 MODEL NO: JR360P  
 CUTTING HEAD ASSEMBLY

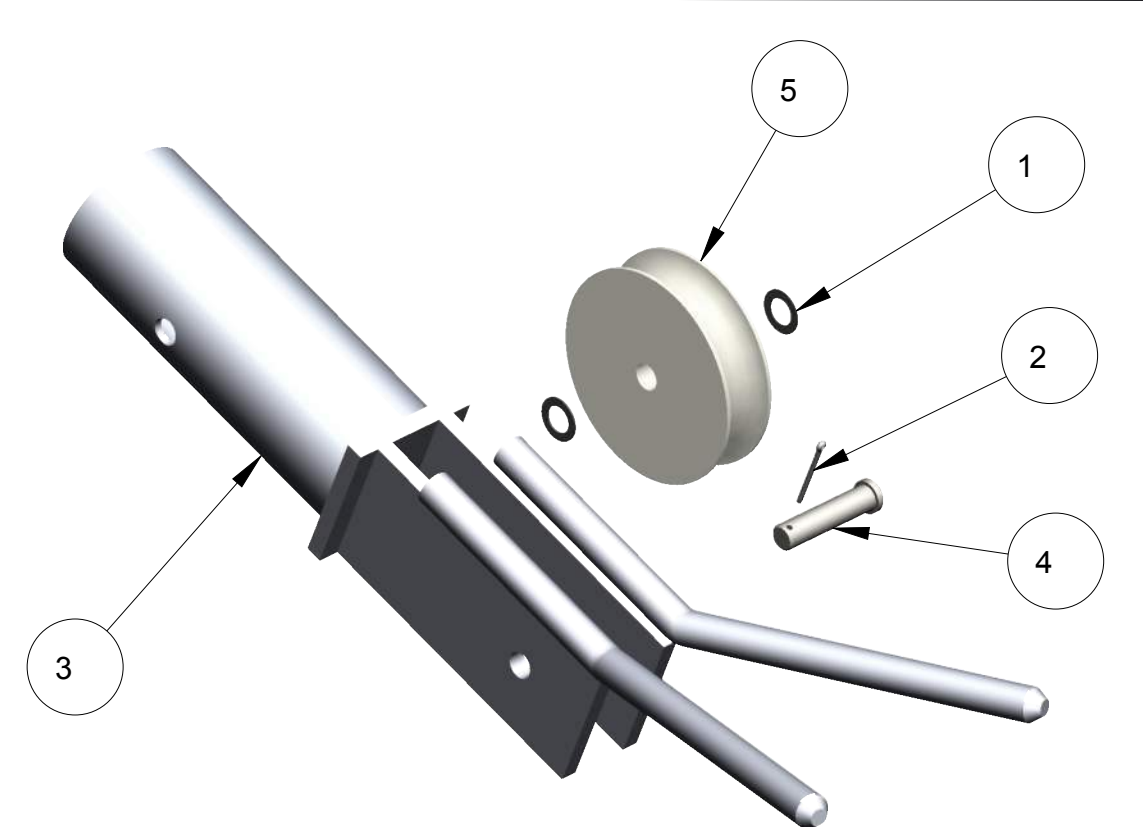
SCALE 3/8

CARC WT ACT WT SHEET 1 OF 1



THIS MATERIAL IS THE PROPERTY OF MOLE MASTER SERVICES CORPORATION AND MAY NOT BE REPRODUCED, PUBLISHED, OR DISCLOSED TO OTHERS WITHOUT WRITTEN AUTHORIZATION AND MAY NOT BE USED IN ANY WAY AGAINST OR DETRIMENTAL TO MOLE MASTER SERVICES CORPORATION.

REVISION HISTORY			
REV	DESCRIPTION	DATE	BY
A	RVSD BOM FOR JB3010-00	02-15-16	EPP



JB3010-00 (BOOM END ASSEMBLY)

ITEM	QTY	PART NO.	DESCRIPTION
5	1	M2001-10	PULLEY, SINGLE SPOOL
4	1	JB3010-02	MODIFIED CLEVIS PIN
3	1	JB3020-00	BOOM END WELDMENT
2	1	010153	5/32" x 2", COTTER PIN, ZP
1	2	010135	3/4", MACHINERY BUSHING, 18 GA., PLN FIN

BILL OF MATERIALS

14	1	JB3008-00	EYE BOLT CLEVIS PIN
13	1	JB3006-01	BOOM EXTENSION
12	1	JB3004-01	BOOM EXTENSION
11	1	JB3003-01	BOOM EXTENSION
10	1	JB3002-00	BOOM EXTENSION
9	1	JB3010-00	BOOM END ASSEMBLY
8	1	JB3001-00	BOOM
7	1	010148	3/8" CHAIN, DOUBLE CLEVIS LINK, ZP
6	1	030105	3/4" x 6-1/2" VINYL COATED HITCH PIN
5	3	010103	3/4" X 4-1/2", CLEVIS PIN, ZP
4	5	010159	3/4" SHAFT, RUE RING LOCKING COTTER PIN
3	1	JB3009-00	1/4" GALV AIRCRAFT CABLE ASSEMBLY 138-3/4" LG
2	1	JB3007-00	1/4" GALV AIRCRAFT CABLE ASSEMBLY 50-1/4" LG
1	1	030124	1/2" ROUND PIN CHAIN SHACKLE

ITEM QTY PART NO. DESCRIPTION

BILL OF MATERIALS

UNLESS OTHERWISE SPECIFIED DIMENSIONS ARE IN INCHES.

TOLERANCES ARE:  
 DECIMALS ANGLES  
 .XX± .01 ±2°  
 .XXX± .005  
 FRACTIONAL ± 1/16

DO NOT SCALE DRAWING

TREATMENT - ENGR

FINISH -

MATERIAL - SEE BOM

APPROVALS	DATE
EPP	03-12-13

SCALE 3/16

27815 STATE ROUTE 7  
 MARIETTA, OHIO  
 45750 USA  
 740-374-6726

**MOLE-MASTER SERVICES CORPORATION**

TITLE  
**PNEUMATIC JUNIOR 360**  
**MODEL NO: JR360P**  
**BOOM ASSEMBLY**

DWG NO.  
**PL3360P-8**

REV. **A**

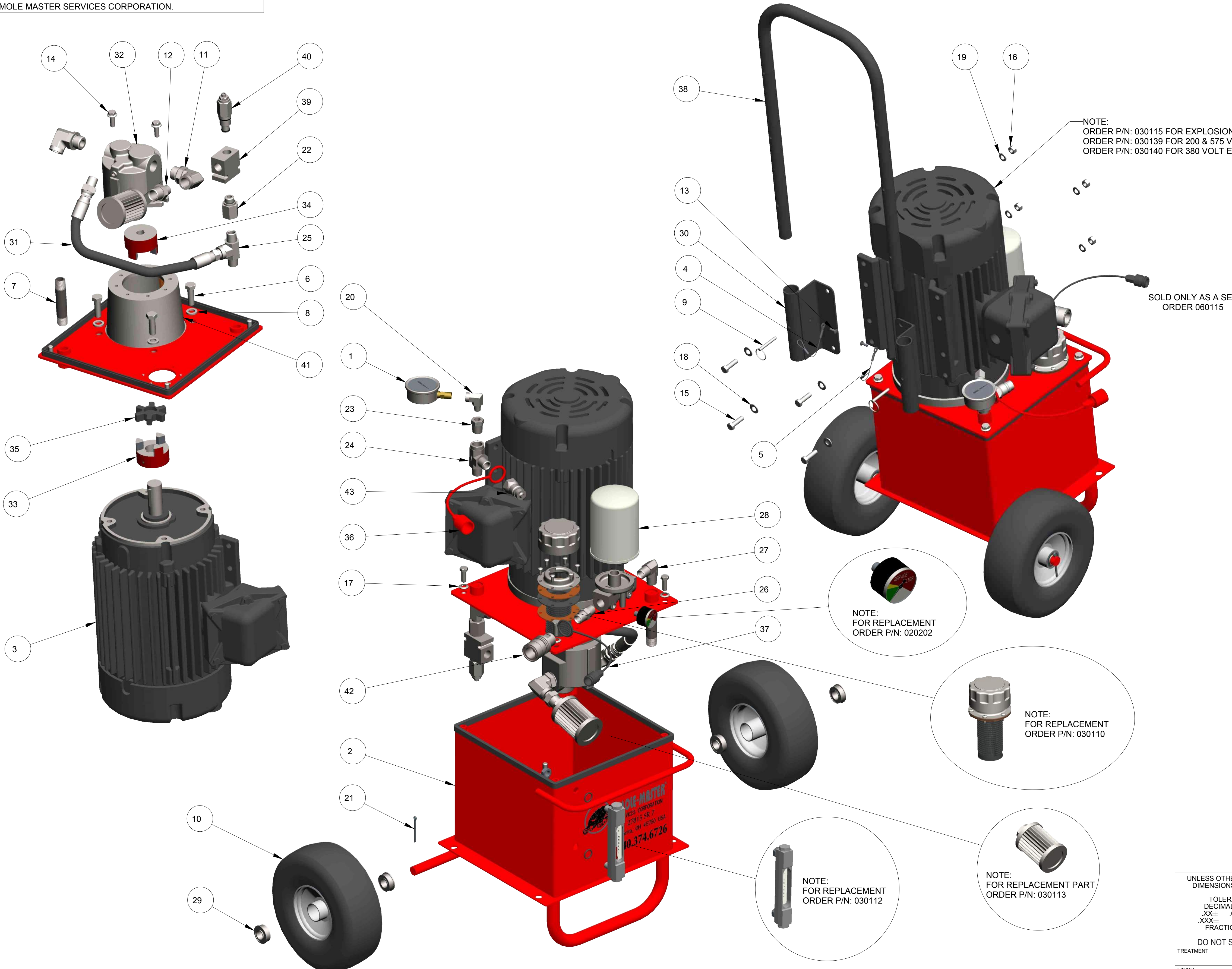
SCALE 3/16

CARC WT ACT WT SHEET 1 OF 1



THIS MATERIAL IS THE PROPERTY OF MOLE MASTER SERVICES CORPORATION AND MAY NOT BE REPRODUCED, PUBLISHED, OR DISCLOSED TO OTHERS WITHOUT WRITTEN AUTHORIZATION AND MAY NOT BE USED IN ANY WAY AGAINST OR DETRIMENTAL TO MOLE MASTER SERVICES CORPORATION.

REVISION HISTORY			
REV	DESCRIPTION	DATE	BY
A	040102 WAS 010117	05-15-14	EPP
B	050102 WAS 020101, 050105 WAS 020103	05-30-14	EPP



ITEM	QTY	PART NO.	DESCRIPTION
43	1	060114	QUICK COUPLER, MALE
42	1	060113	QUICK COUPLER, FEMALE
41	1	030111	PUMP MOUNT FOR ELECTRIC MOTOR
40	1	030128	PRESSURE RELIEF CARTRIDGE
39	1	030129	PRESSURE RELIEF BODY
38	1	PU3001-01	POWER UNIT HANDLE
37	1	050207	PLASTIC SOCKET DUST CAP, QUICK DISCONNECT COUPLING
36	1	050206	PLASTIC PLUG DUST CAP, QUICK DISCONNECT COUPLING
35	1	030119	LOVEJOY-SPIDER COUPLING-L099X5/8HUB3/16
34	1	030120	LOVEJOY COUPLER-L099X5/8HUB3/16
33	1	030121	LOVEJOY COUPLER-L099X1 1/8HUB1/4
32	1	060107	HYDRAULIC GEAR PUMP
31	1	HH3004-00_1	HOSE ASSY,#8M3K,(1)8GE-8MPX,(1)8GE-8MP, 18" LGTH
30	2	PU3002-00	HANDLE MOUNTING BRACKET
29	4	030104	FLANGED WHEEL BEARING, HEAVY DUTY
28	1	030122	FILTER ASSEMBLY, HYDRAULIC OIL
27	1	050105	8MP-8MP90, MALE PIPE-MALE PIPE 90 D ELBOW HYD ADAPTER
26	1	050102	8MP-8MP, MALE PIPE-MALE PIPE HEX NIPPLE
25	1	020105	8MP-8MP-8FP, MALE PIPE-MALE PIPE-FEMALE PIPE TEE HYD ADAPTER
24	1	020106	8MP-8FP-8MP, MALE PIPE-FEMALE PIPE-MALE PIPE TEE HYD ADAPTER
23	1	020102	8MP-4FP, MALE PIPE-FEMALE PIPE HEX REDUCER BUSHING HYD ADAPTER
22	1	020110	8MB-8FP, MALE O RING BOSS-FEMALE PIPE THREAD STR HYD ADAPT
21	2	010153	5/32" X 2", COTTER PIN, ZP
20	1	020104	4MP-4FP90, MALE PIPE-FEMALE 90° STREET ELBOW HYD ADAPTER
19	4	010137	3/8", SPLIT LOCK WASHER, ZP
18	4	010131	3/8", FLAT WASHER, SAE, ZP
17	4	010133	3/8", BONDED SEALING WASHER, 18-8 SS
16	4	010139	3/8-16, HEX NUT, GR. A, ZP
15	4	010118	3/8-16 X 1-1/4", HHCS, GR. 5, ZP
14	2	040102	3/8-16 X 1", FLG BOLT, SERRATED WASHER, GR 8.2, ZP
13	2	010113	3/16", BLIND POP-RIVET, BUTTON HEAD, ALUM
12	1	020101	12MP-8MP, MALE PIPE-MALE PIPE HEX NIPPLE HYD ADAPTER
11	2	050108	12MB-8FP90, MALE O-RING BOSS-FEMALE PIPE 90° ELBOW HYD ADAPTER
10	2	030103	10" X 3" OFFSET INTEGRAL HUB TIRE
9	2	010157	1/4" X 1-1/2", DETENT RING PIN
8	4	010138	1/2", SPLIT LOCK WASHER, ZP
7	1	010149	1/2" X 4", SEAMLESS PIPE NIPPLE, SCHD 80, 3000#
6	4	010120	1/2-13 X 1-1/2", HHCS, GR. 5, ZP
5	1	010111_6	1/16" X 6", BARE CABLE, STEEL LANYARD
4	1	010111_4	1/16" X 6", BARE CABLE, STEEL LANYARD
3	1	030138	5 HP, 1750 RPM, 3PH, TEFC GENERAL PURPOSE ELECTRIC AC MOTOR
2	1	030114	5 GALLON VERTICAL HYDRAULIC RESERVOIR
1	1	020203	2-1/2"-3000 PSI GLY GAUGE, 1/4" NPT BOTTOM MOUNT
ITEM	QTY	PART NO.	DESCRIPTION

UNLESS OTHERWISE SPECIFIED DIMENSIONS ARE IN INCHES.

TOLERANCES ARE:  
 DECIMALS .01 ± .002  
 ANGLES .XX ± .005  
 FRACTIONAL ± 1/16

DO NOT SCALE DRAWING

TREATMENT - ENGR

FINISH -

MATERIAL - SEE BOM

APPROVALS	DATE
EPP	01-17-13
CHECKED	-
ENGR	-

SCALE 1/4"

SIZE D

DWG NO. PL3360P-9

REV. B

SHEET 1 OF 1

27815 STATE ROUTE 7  
 MARIETTA, OHIO  
 45750 USA  
 740-374-6726

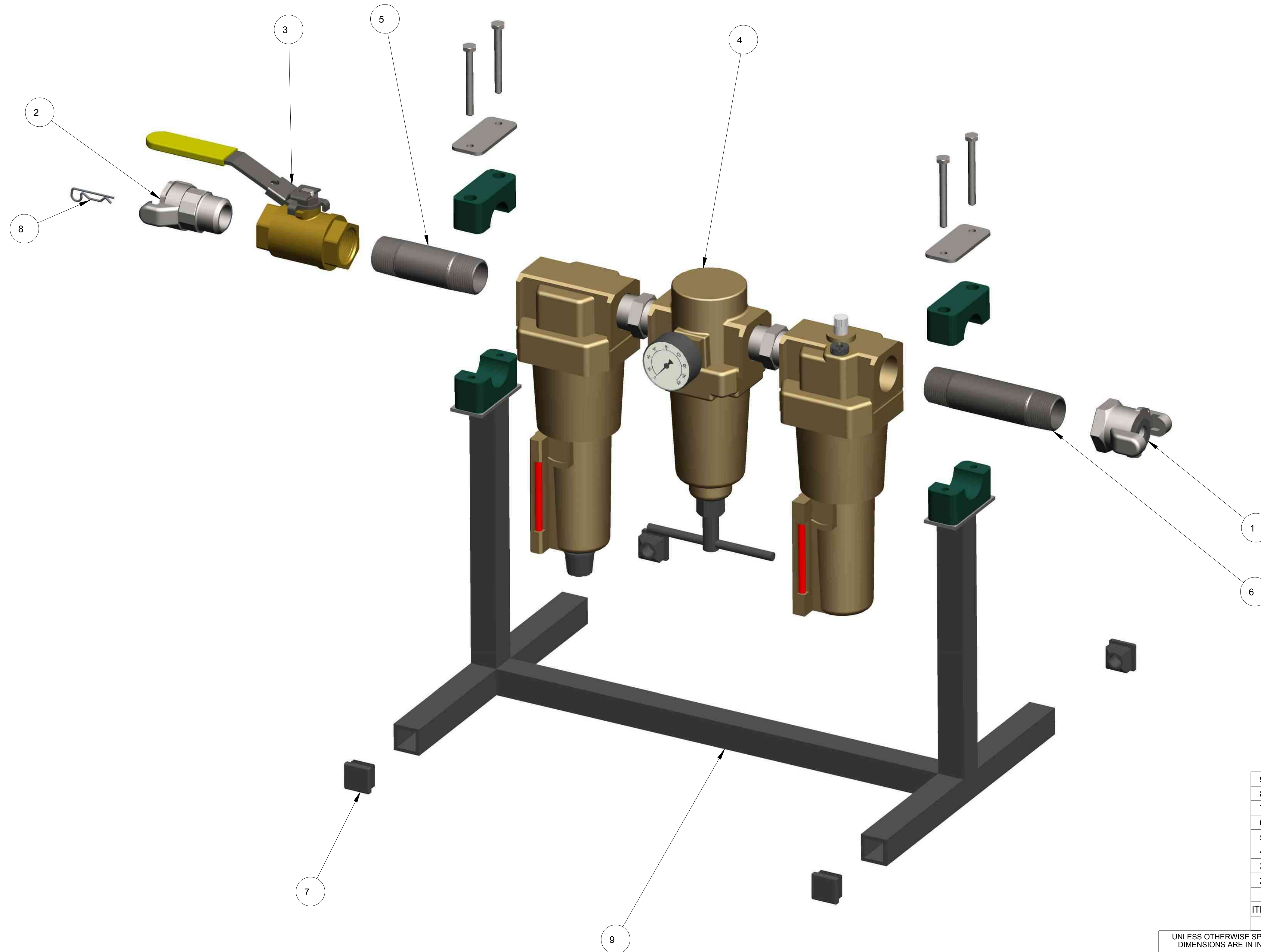
**MOLE-MASTER SERVICES CORPORATION**

TITLE: PNEUMATIC JUNIOR 360  
 MODEL NO: JR360P  
 POWER UNIT ASSEMBLY



THIS MATERIAL IS THE PROPERTY OF MOLE MASTER SERVICES CORPORATION AND MAY NOT BE REPRODUCED, PUBLISHED, OR DISCLOSED TO OTHERS WITHOUT WRITTEN AUTHORIZATION AND MAY NOT BE USED IN ANY WAY AGAINST OR DETRIMENTAL TO MOLE MASTER SERVICES CORPORATION.

REVISION HISTORY			
REV	DESCRIPTION	DATE	BY



NOTE: ORDER 050209 FOR REPLACEMENT PRESSUE GAUGE

ITEM	QTY	PART NO.	DESCRIPTION
9	1	FRL3001-00	MOUNTING BASE WELDMENT
8	1	050200	AIR KING SAFETY CLIP
7	4	060106	1" SQUARE TUBE PLUG, PLASTIC, BLACK
6	1	060101	1" PIPE NIPPLE X 5" LONG, SCHD 40, STL
5	1	060117	1" PIPE NIPPLE X 4" LONG, SCHD 40, STL
4	1	060112	1" NPT PORTED, FILTER-REGULATOR-LUBRICATOR ASSEMBLY
3	1	060100	1" NPT BRASS BALL VALVE WITH LOCKABLE LEVER HANDLE, FEMALE CONN
2	1	050203	1" MPT, CHICAGO FITTING/AIR KING UNIVERSAL COUPLING
1	1	050204	1" FPT, CHICAGO FITTING/AIR KING UNIVERSAL COUPLING

UNLESS OTHERWISE SPECIFIED DIMENSIONS ARE IN INCHES.  
 TOLERANCES ARE:  
 DECIMALS ANGLES  
 .XX± .01 ± 2°  
 .XXX± .005  
 FRACTIONAL ± 1/16  
 DO NOT SCALE DRAWING

APPROVALS	DATE
DRAWN	
CHECKED	
ENGR	

27815 STATE ROUTE 7  
 MARIETTA, OHIO  
 45750 USA  
 740-374-6726

**MOLE-MASTER SERVICES CORPORATION**

TITLE: PNEUMATIC JUNIOR 360  
 MODEL NO: JR360P  
 FILTER-REGULATOR-LUBRICATOR ASSY

DWG NO. PL3360P-10

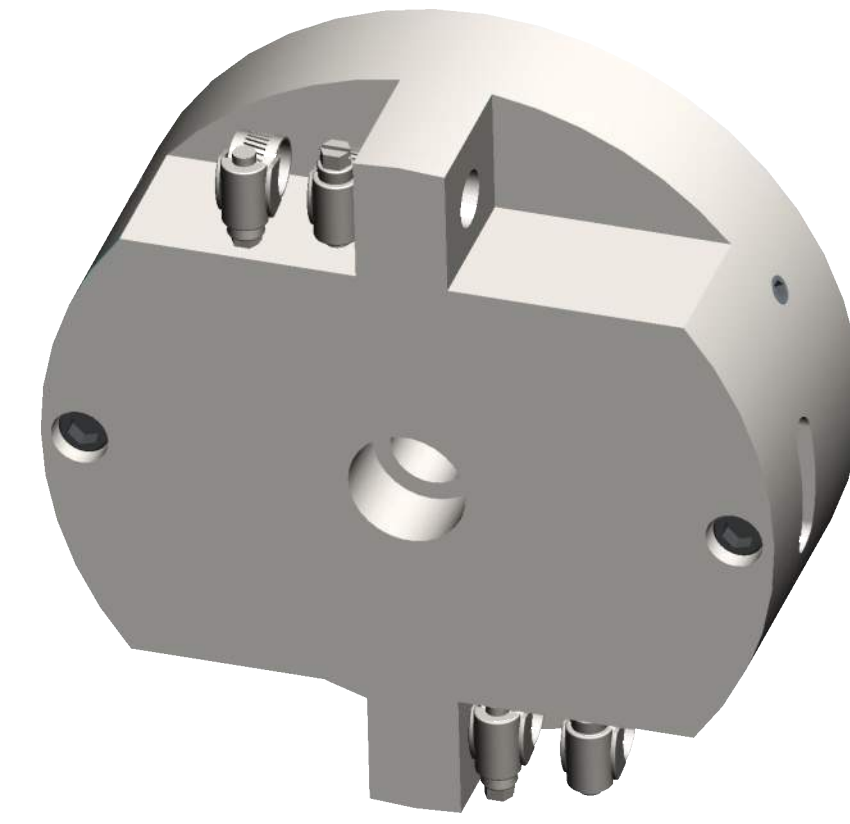
SCALE 1/2

SHEET 1 OF 1

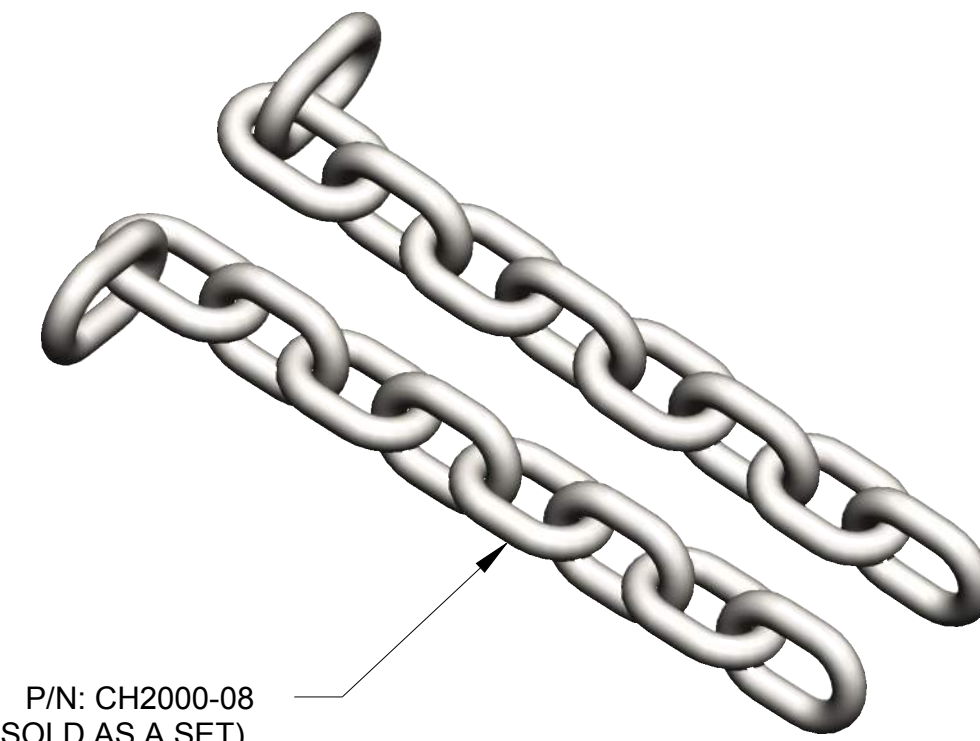


THIS MATERIAL IS THE PROPERTY OF MOLE MASTER SERVICES CORPORATION AND MAY NOT BE REPRODUCED, PUBLISHED, OR DISCLOSED TO OTHERS WITHOUT WRITTEN AUTHORIZATION AND MAY NOT BE USED IN ANY WAY AGAINST OR DETRIMENTAL TO MOLE MASTER SERVICES CORPORATION.

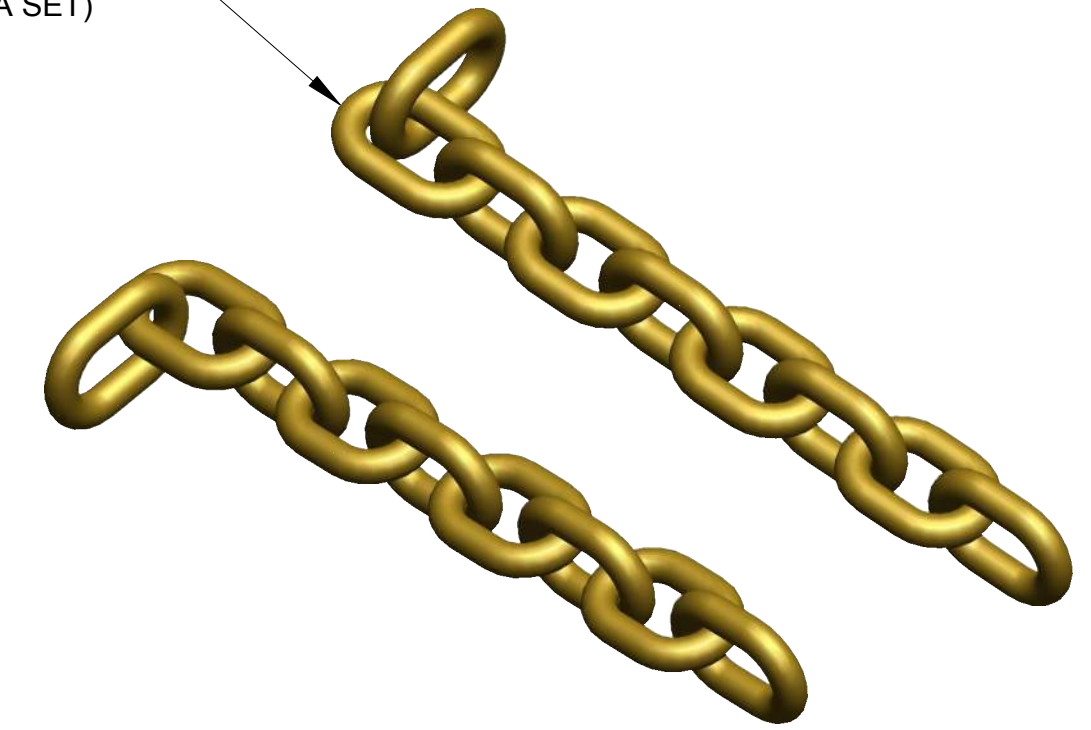
REVISION HISTORY			
REV	DESCRIPTION	DATE	BY



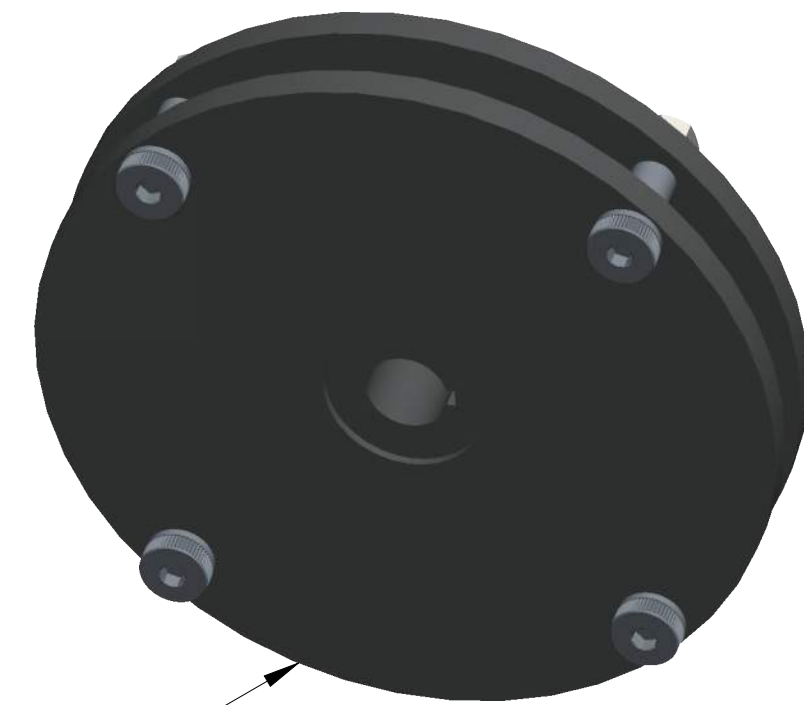
CH3018-00 (2 CHAIN & 2 WHIP ALUMINUM CUTTER HEAD ASSEMBLY)



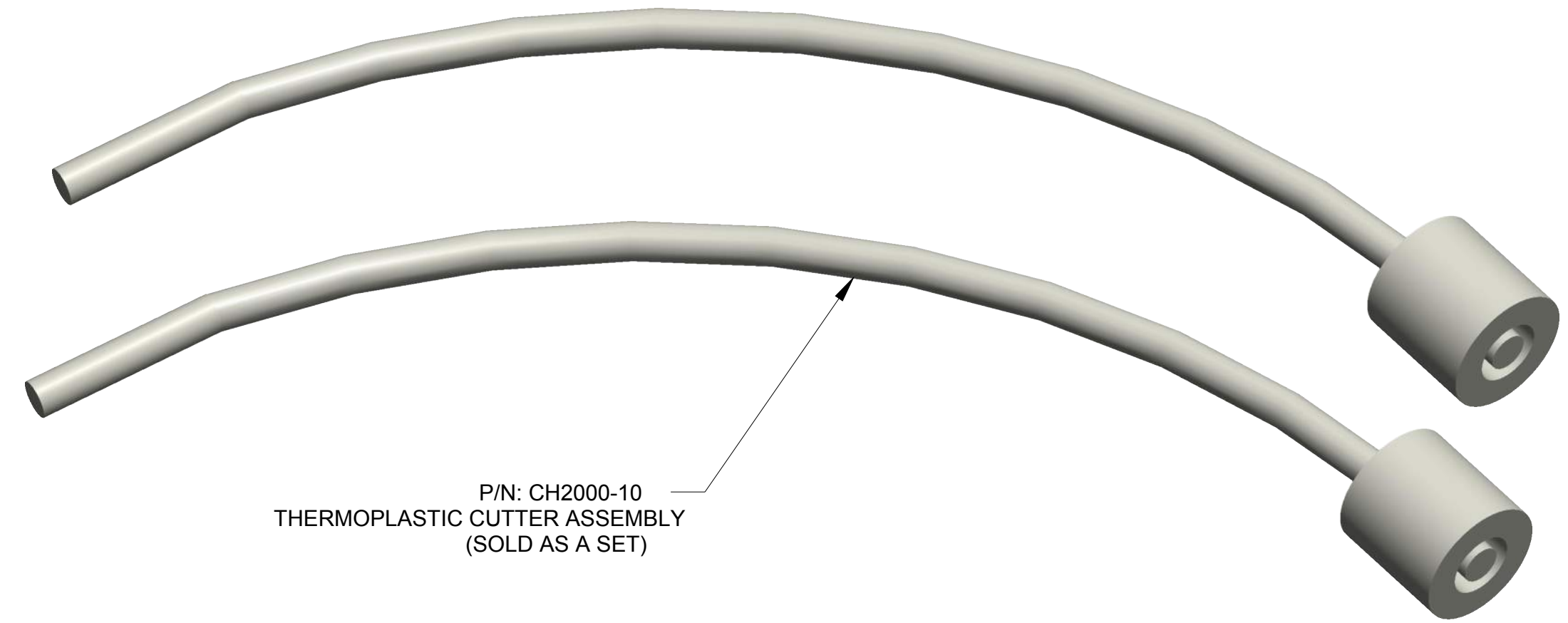
P/N: CH2000-08  
STEEL CUTTER CHAIN (SOLD AS A SET)




P/N: CH2000-07  
BRASS CUTTER CHAIN (SOLD AS A SET)



CH3019-00 (4 CHAIN STEEL FLAIL HEAD CUTTER ASSEMBLY)



P/N: CH2000-10  
THERMOPLASTIC CUTTER ASSEMBLY (SOLD AS A SET)

UNLESS OTHERWISE SPECIFIED DIMENSIONS ARE IN INCHES.		APPROVALS		DATE		27815 STATE ROUTE 7 MARIETTA, OHIO 45750 USA 740-374-6726	
TOLERANCES ARE: DECIMALS ANGLES .XX± .01 ±2° .XXX± .005 FRACTIONAL ± 1/16		DRAWN	EPP	01-17-13		TITLE	PNEUMATIC JUNIOR 360° MODEL NO: JR360P ASSESSORIES
DO NOT SCALE DRAWING		CHECKED	-	-	SIZE	DWG NO.	REV.
TREATMENT	-	ENGR			D	PL3360P-11	-
FINISH	-				SCALE	3/8	1 OF 1
MATERIAL	SEE BOM				CALC WT	ACT WT	SHEET